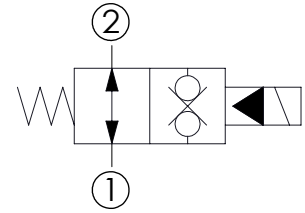
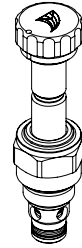
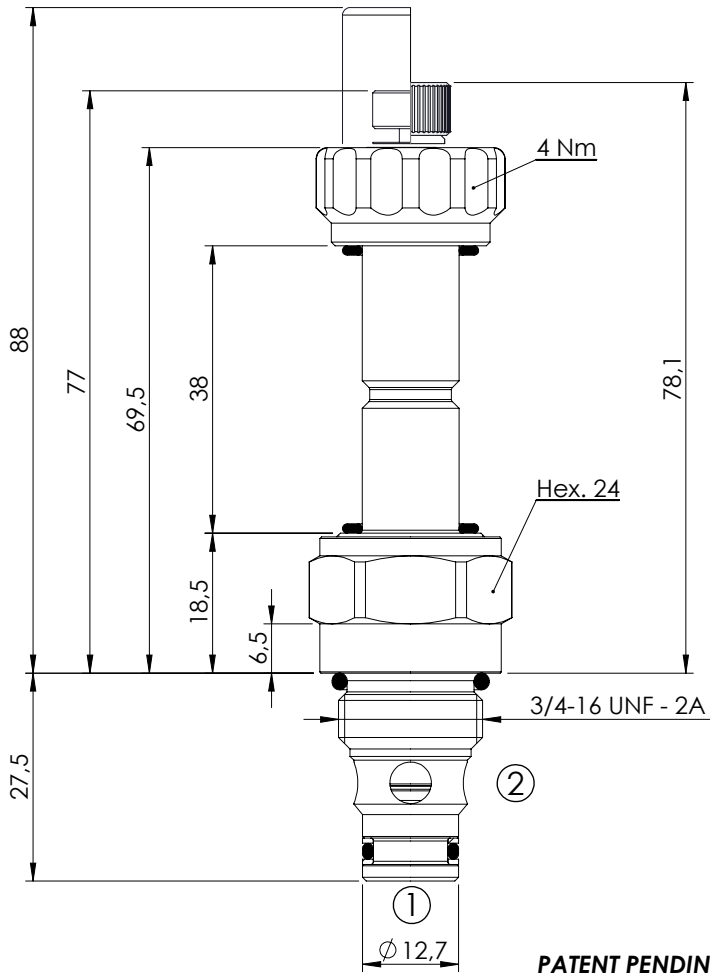


SOLENOID OPERATED CARTRIDGE

CEBN-040-NAFN

**PILOT OPERATED
POPPET TYPE**

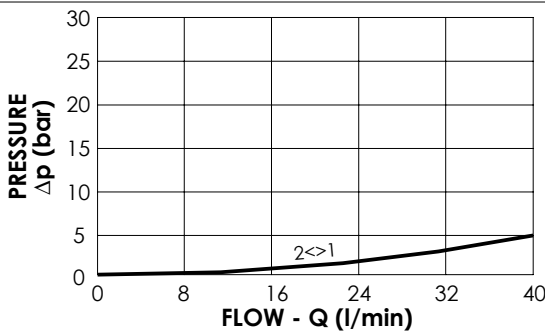


SPECIFICATIONS

Max. operating pressure:	350/500 bar
Rated flow:	40 l/min
Cavity:	SAE-08-2N
Weight:	0,14 kg
Min. voltage required:	90% of nominal
Coil type:	M7 type
Seal kit:	RB900081

NOTES

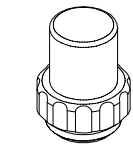
Installation torque: 45 - 50 Nm



OPTIONS

- Standard
- Push style override
- Knob style override

SEALING CAP



Ordering code:
AT000113

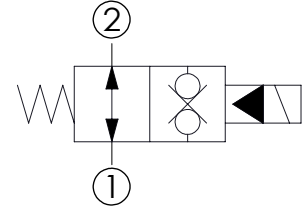
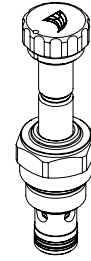
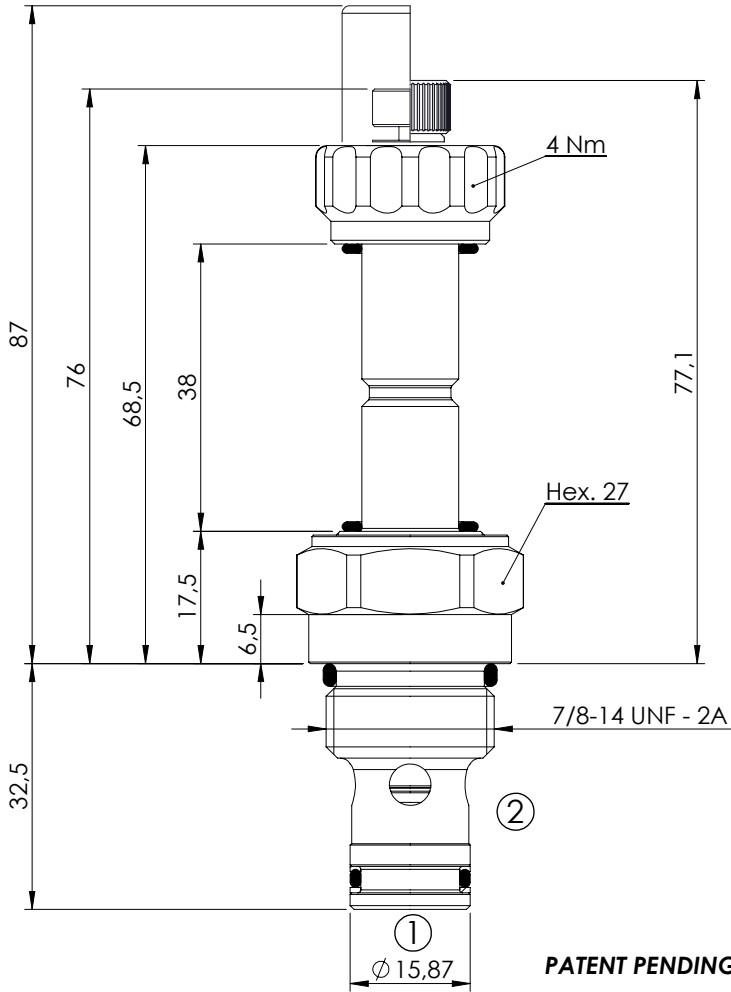
ORDERING CODES

Quick code	Description	Options	Max operating pressure (bar)
CE000242	CEBN-040-NAFN-32-S08-N350	Standard	350
CE000243	CEBN-040-NAFP-32-S08-N350	Push style override	350
CE000244	CEBN-040-NAFK-32-S08-N350	Knob style override	350
CE000542	CEBN-040-NAFN-32-S08-N500	Standard	500
CE000543	CEBN-040-NAFP-32-S08-N500	Push style override	500
CE000544	CEBN-040-NAFK-32-S08-N500	Knob style override	500

SOLENOID OPERATED CARTRIDGE

CEBN-070-NAFN

**PILOT OPERATED
POPPET TYPE**

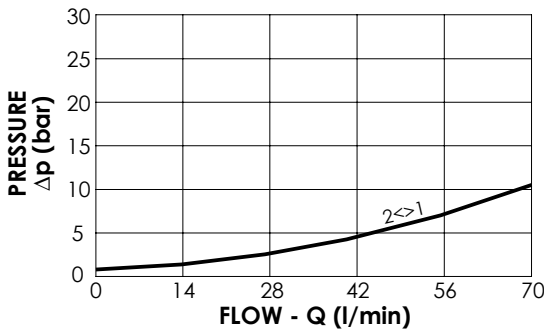


SPECIFICATIONS

Max. operating pressure:	350/500 bar
Rated flow:	70 l/min
Cavity:	SAE-10-2N
Weight:	0,18 kg
Min. voltage required:	90% of nominal
Coil type:	M7 type
Seal kit:	RB900082

NOTES

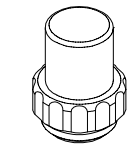
Installation torque: 55 - 62 Nm



OPTIONS

- Standard
- Push style override
- Knob style override

SEALING CAP



Ordering code:
AT000113

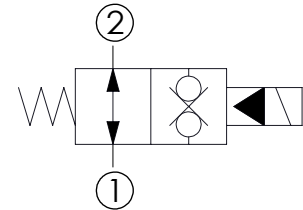
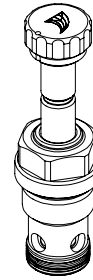
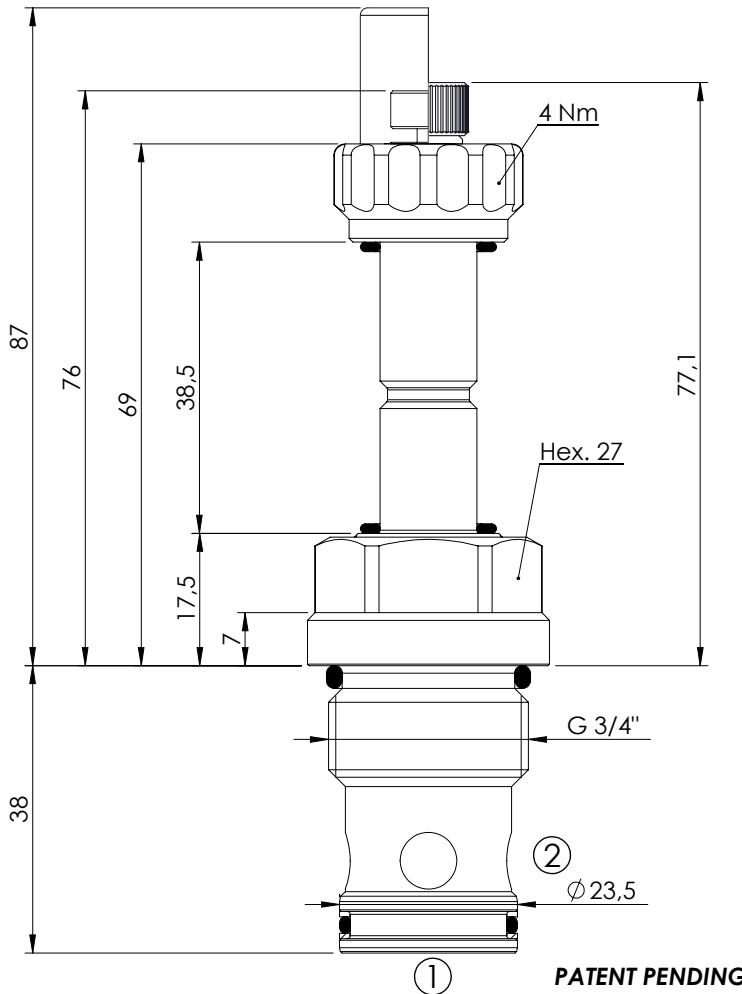
ORDERING CODES

Quick code	Description	Options	Max operating pressure (bar)	
CE000277	CEBN-070-NAFN-32-S10-N350	Standard	350	
CE000278	CEBN-070-NAFP-32-S10-N350	Push style override	350	
CE000279	CEBN-070-NAFK-32-S10-N350	Knob style override	350	
CE000577	CEBN-070-NAFN-32-S10-N500	Standard	500	
CE000578	CEBN-070-NAFP-32-S10-N500	Push style override	500	
CE000579	CEBN-070-NAFK-32-S10-N500	Knob style override	500	

SOLENOID OPERATED CARTRIDGE

CEBN-100-NAFN

**PILOT OPERATED
POPPET TYPE**



SPECIFICATIONS

Max. operating pressure:	350/500 bar
Rated flow:	100 l/min
Cavity:	VP000057
Weight:	0,25 kg
Min. voltage required:	90% of nominal
Coil type:	M7 type
Seal kit:	RD900057

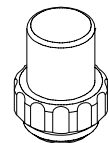
NOTES

Installation torque: 80 - 90 Nm

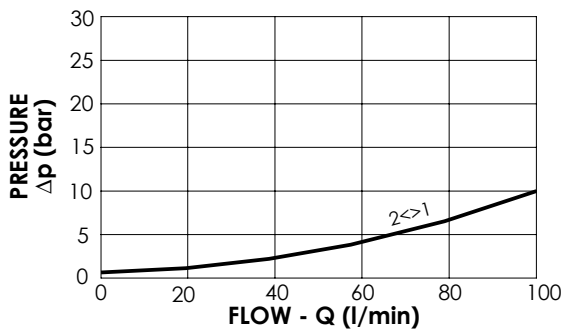
OPTIONS

- Standard
- Push style override
- Knob style override

SEALING CAP



Ordering code:
AT000113



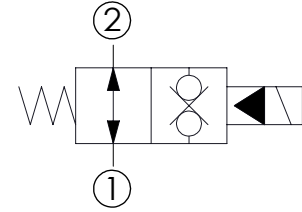
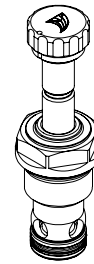
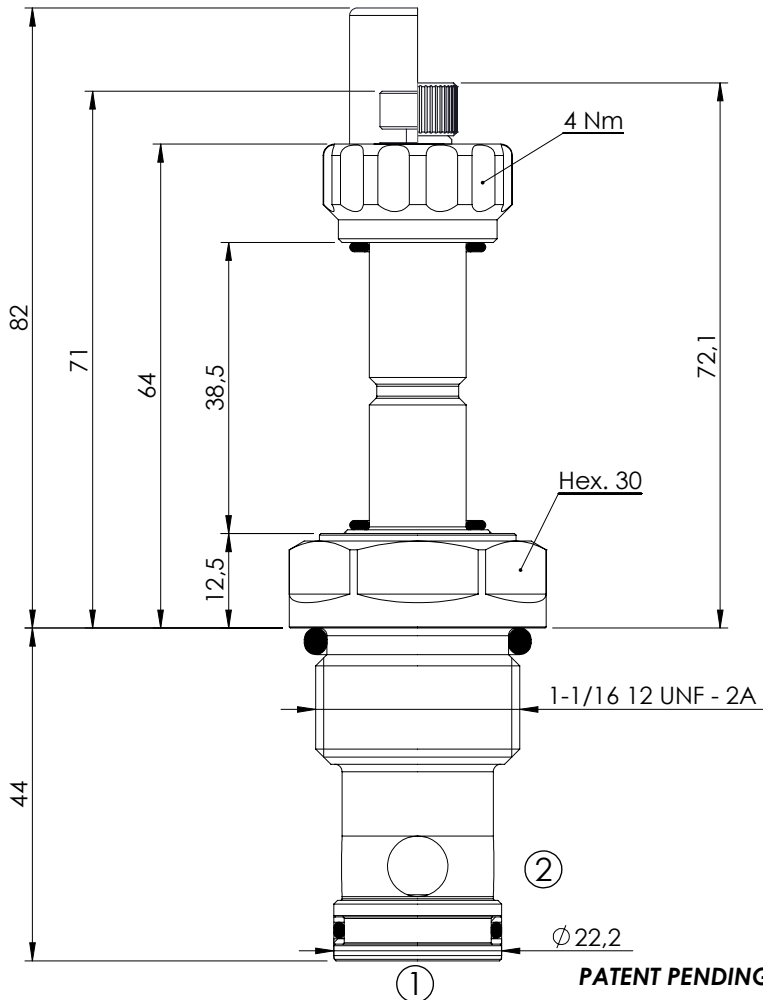
ORDERING CODES

Quick code	Description	Options	Max operating pressure (bar)
CE000312	CEBN-100-NAFN-32-057-N350	Standard	350
CE000313	CEBN-100-NAFP-32-057-N350	Push style override	350
CE000314	CEBN-100-NAFK-32-057-N350	Knob style override	350
CE000612	CEBN-100-NAFN-32-057-N500	Standard	500
CE000613	CEBN-100-NAFP-32-057-N500	Push style override	500
CE000614	CEBN-100-NAFK-32-057-N500	Knob style override	500

SOLENOID OPERATED CARTRIDGE

CEBN-180-NAFN

**PILOT OPERATED
POPPET TYPE**

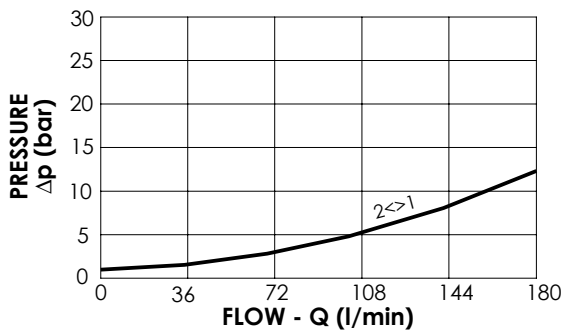


SPECIFICATIONS

Max. operating pressure:	350/500 bar
Rated flow:	180 l/min
Cavity:	SAE-12-2N
Weight:	0,25 kg
Min. voltage required:	90% of nominal
Coil type:	M7 type
Seal kit:	RB900083

NOTES

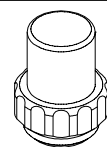
Installation torque: 75 - 82 Nm



OPTIONS

- Standard
- Push style override
- Knob style override

SEALING CAP



Ordering code:
AT000113

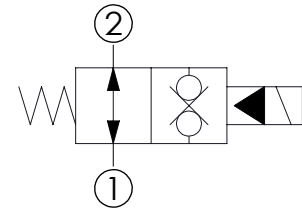
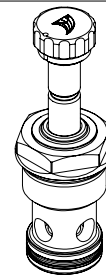
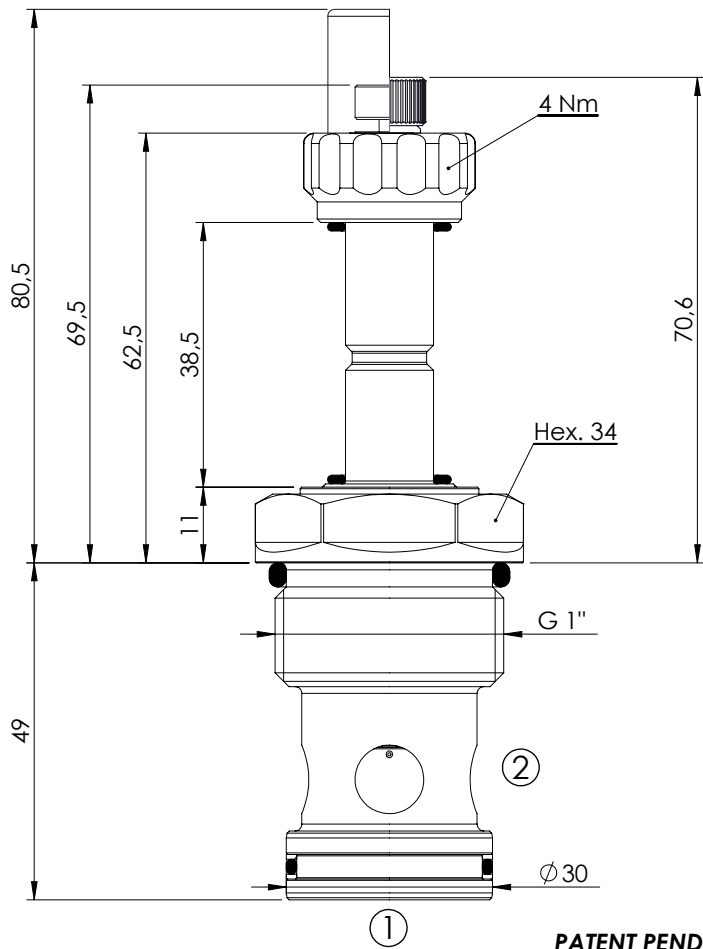
ORDERING CODES

Quick code	Description	Options	Max operating pressure (bar)	
CE000347	CEBN-180-NAFN-32-S12-N350	Standard	350	
CE000348	CEBN-180-NAFP-32-S12-N350	Push style override	350	
CE000349	CEBN-180-NAFK-32-S12-N350	Knob style override	350	
CE000647	CEBN-180-NAFN-32-S12-N500	Standard	500	
CE000648	CEBN-180-NAFP-32-S12-N500	Push style override	500	
CE000649	CEBN-180-NAFK-32-S12-N500	Knob style override	500	

SOLENOID OPERATED CARTRIDGE

CEBN-200-NAFN

**PILOT OPERATED
POPPET TYPE**

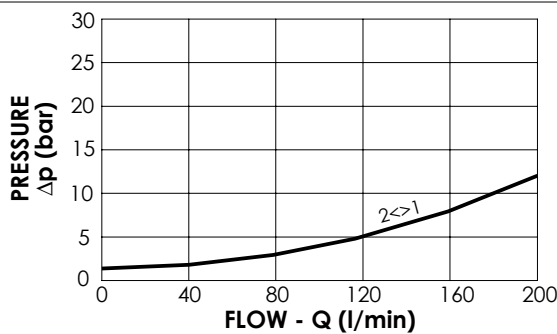


SPECIFICATIONS

Max. operating pressure:	350/500 bar
Rated flow:	200 l/min
Cavity:	VP000013
Weight:	0,35 kg
Min. voltage required:	90% of nominal
Coil type:	M7 type
Seal kit:	RD900013

NOTES

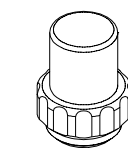
Installation torque: 145 - 160 Nm



OPTIONS

- Standard
- Push style override
- Knob style override

SEALING CAP



Ordering code:
AT000113

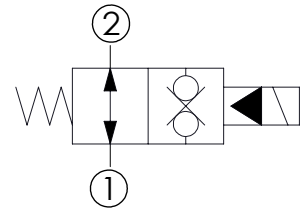
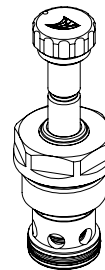
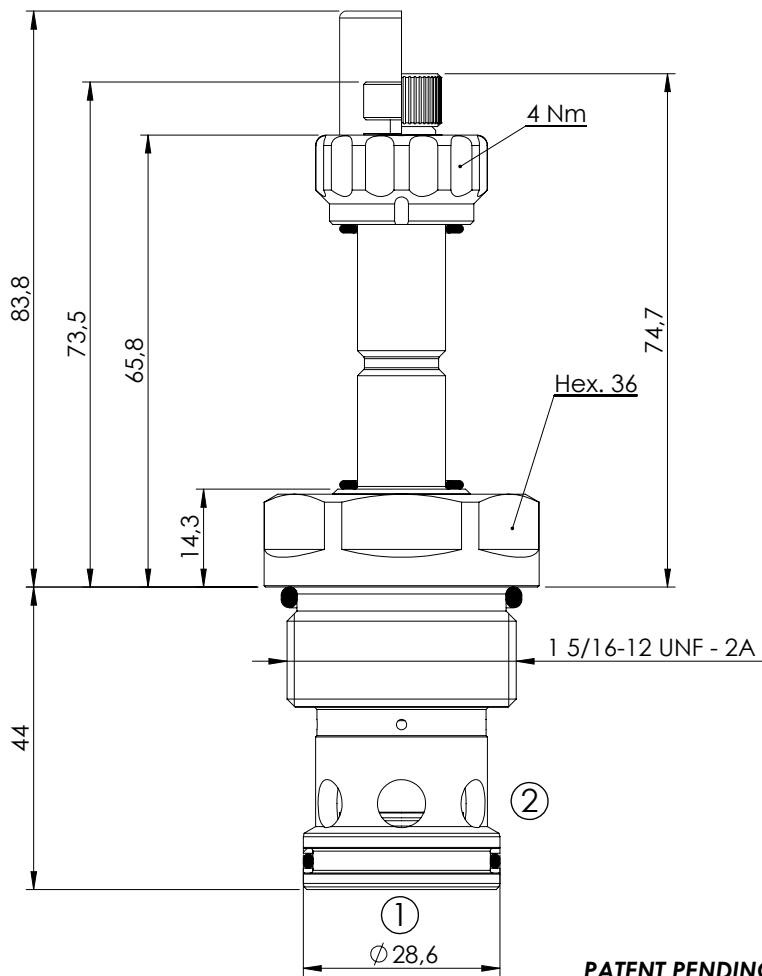
ORDERING CODES

Quick code	Description	Options	Max operating pressure (bar)
CE000382	CEBN-200-NAFN-32-013-N350	Standard	350
CE000383	CEBN-200-NAFP-32-013-N350	Push style override	350
CE000384	CEBN-200-NAFK-32-013-N350	Knob style override	350
CE000682	CEBN-200-NAFN-32-013-N500	Standard	500
CE000683	CEBN-200-NAFP-32-013-N500	Push style override	500
CE000684	CEBN-200-NAFK-32-013-N500	Knob style override	500

SOLENOID OPERATED CARTRIDGE

CEBN-300-NAFN

**PILOT OPERATED
POPPET TYPE**

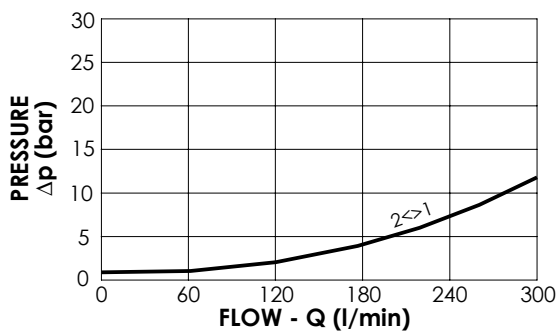


SPECIFICATIONS

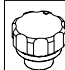
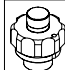
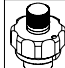
Max. operating pressure:	350/500 bar
Rated flow:	300 l/min
Cavity:	SAE-16-2N
Weight:	0,36 kg
Min. voltage required:	90% of nominal
Coil type:	M7 type
Seal kit:	RB900084

NOTES

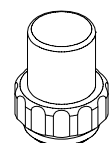
Installation torque: 118 - 132 Nm



OPTIONS

-  Standard
-  Push style override
-  Knob style override

SEALING CAP



Ordering code:
AT000113

ORDERING CODES

Quick code	Description	Options	Max operating pressure (bar)
CE000417	CEBN-300-NAFN-32-S16-N350	Standard	350
CE000418	CEBN-300-NAFP-32-S16-N350	Push style override	350
CE000419	CEBN-300-NAFK-32-S16-N350	Knob style override	350
CE000717	CEBN-300-NAFN-32-S16-N500	Standard	500
CE000718	CEBN-300-NAFP-32-S16-N500	Push style override	500
CE000719	CEBN-300-NAFK-32-S16-N500	Knob style override	500