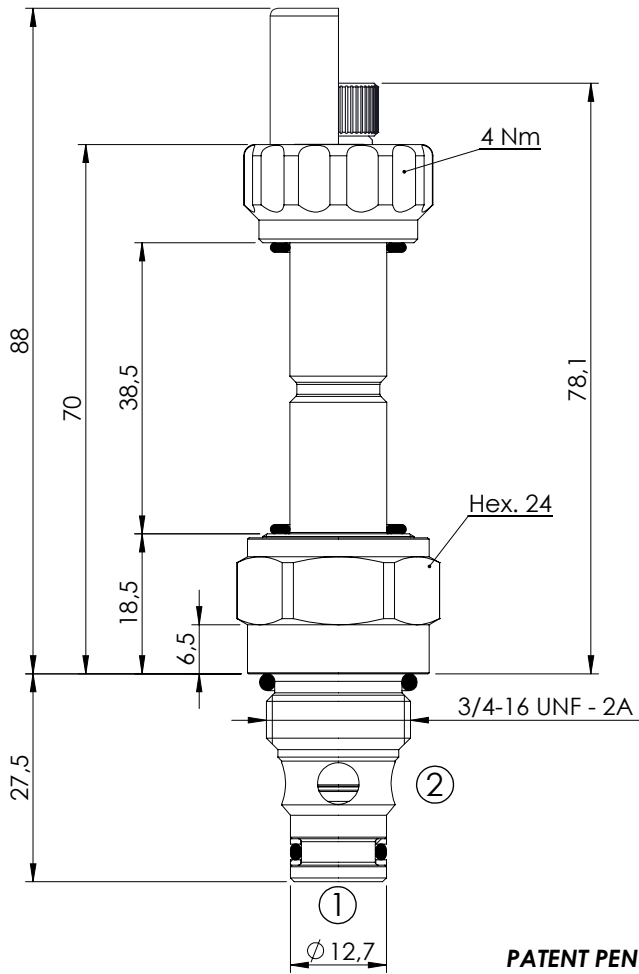


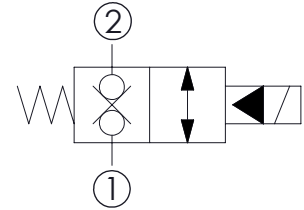
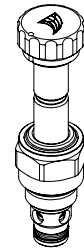
**SOLENOID OPERATED CARTRIDGE**

**CEBN-040-NCFN**

**PILOT OPERATED  
POPPET TYPE**



PATENT PENDING

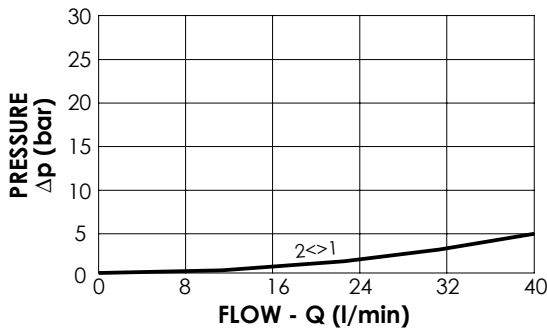


**SPECIFICATIONS**

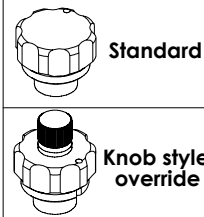
Max. operating pressure:	350/500 bar
Rated flow:	40 l/min
Cavity:	SAE-08-2N
Weight:	0,14 kg
Min. voltage required:	90% of nominal
Coil type:	M7 type
Seal kit:	RB900081

**NOTES**

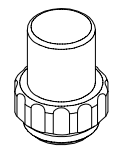
Installation torque: 45 - 50 Nm



**OPTIONS**



**SEALING CAP**



Ordering code:  
AT000113

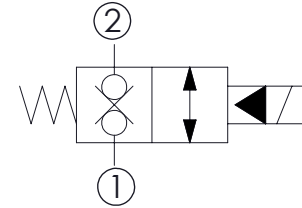
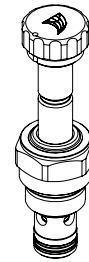
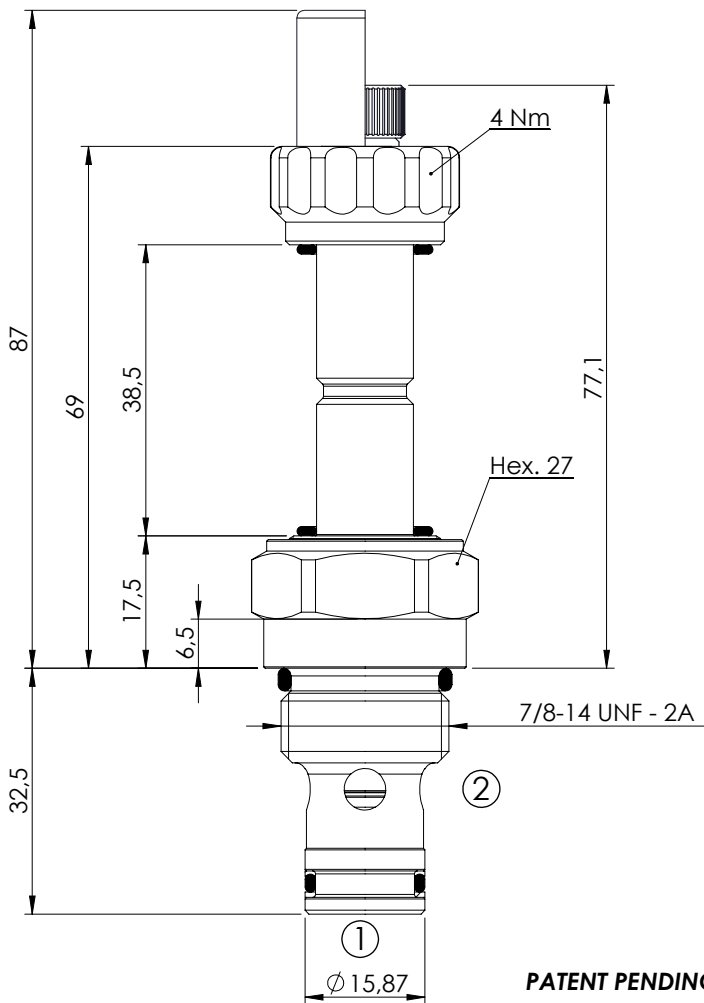
**ORDERING CODES**

Quick code	Description	Options	Max operating pressure (bar)
CE000226	CEBN-040-NCFN-31-S08-N350	Standard	350
CE000228	CEBN-040-NCFK-31-S08-N350	Knob style override	350
CE000526	CEBN-040-NCFN-31-S08-N500	Standard	500
CE000528	CEBN-040-NCFK-31-S08-N500	Knob style override	500

**SOLENOID OPERATED CARTRIDGE**

**CEBN-070-NCFN**

**PILOT OPERATED  
POPPET TYPE**

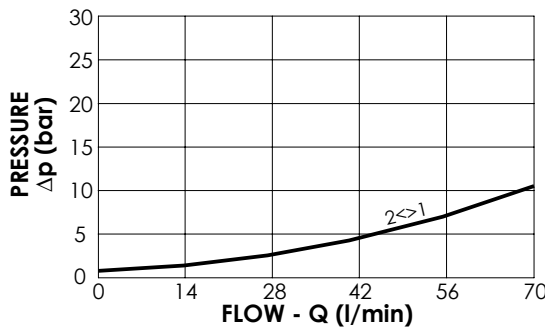


**SPECIFICATIONS**

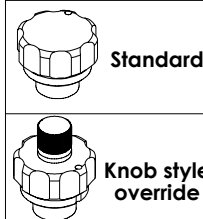
Max. operating pressure:	350/500 bar
Rated flow:	70 l/min
Cavity:	SAE-10-2N
Weight:	0,18 kg
Min. voltage required:	90% of nominal
Coil type:	M7 type
Seal kit:	RB900082

**NOTES**

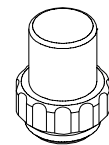
Installation torque: 55 - 62 Nm



**OPTIONS**



**SEALING CAP**



Ordering code:  
AT000113

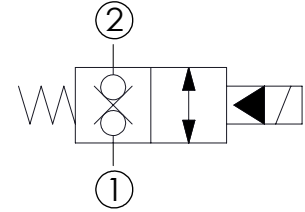
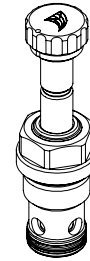
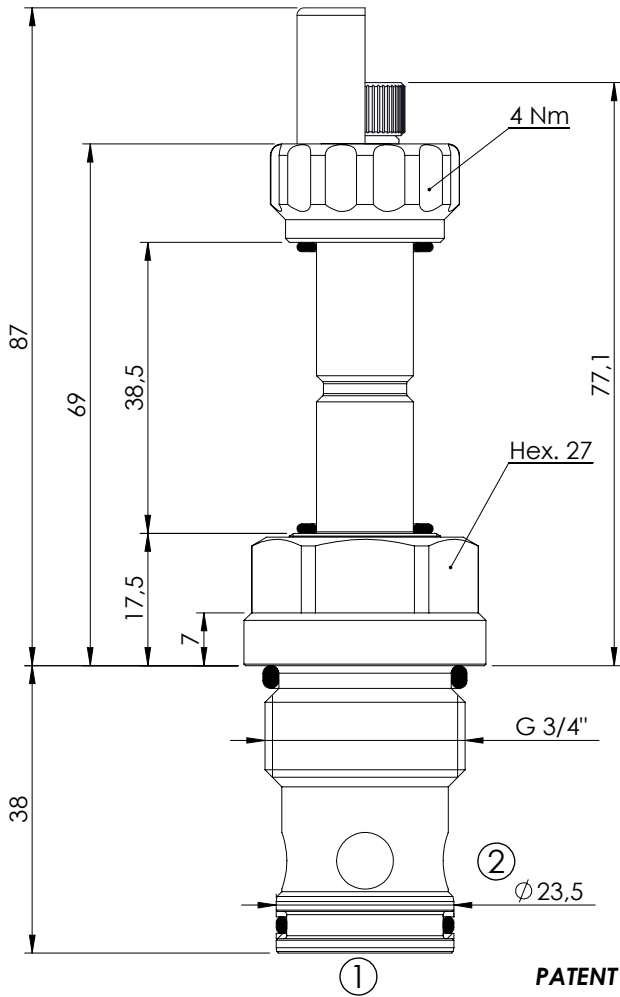
**ORDERING CODES**

Quick code	Description	Options	Max operating pressure (bar)
CE000261	CEBN-070-NCFN-31-S10-N350	Standard	350
CE000263	CEBN-070-NCFK-31-S10-N350	Knob style override	350
CE000561	CEBN-070-NCFN-31-S10-N500	Standard	500
CE000563	CEBN-070-NCFK-31-S10-N500	Knob style override	500

**SOLENOID OPERATED CARTRIDGE**

**CEBN-100-NCFN**

**PILOT OPERATED  
POPPET TYPE**

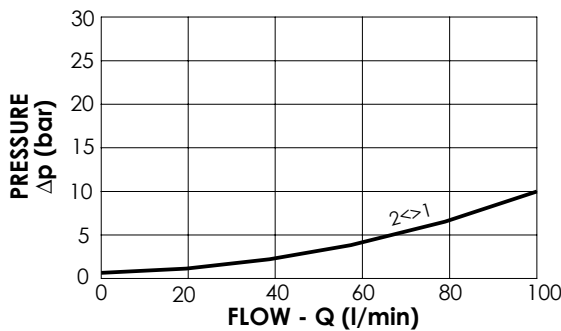


**SPECIFICATIONS**

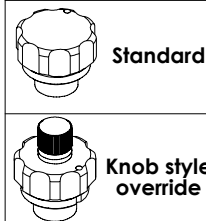
Max. operating pressure:	350/500 bar
Rated flow:	100 l/min
Cavity:	VP000057
Weight:	0,25 kg
Min. voltage required:	90% of nominal
Coil type:	M7 type
Seal kit:	RD900057

**NOTES**

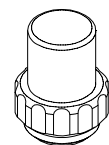
Installation torque: 80 - 90 Nm



**OPTIONS**



**SEALING CAP**



Ordering code:  
AT000113

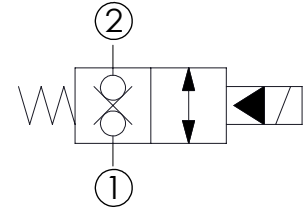
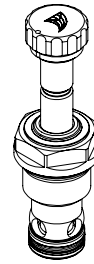
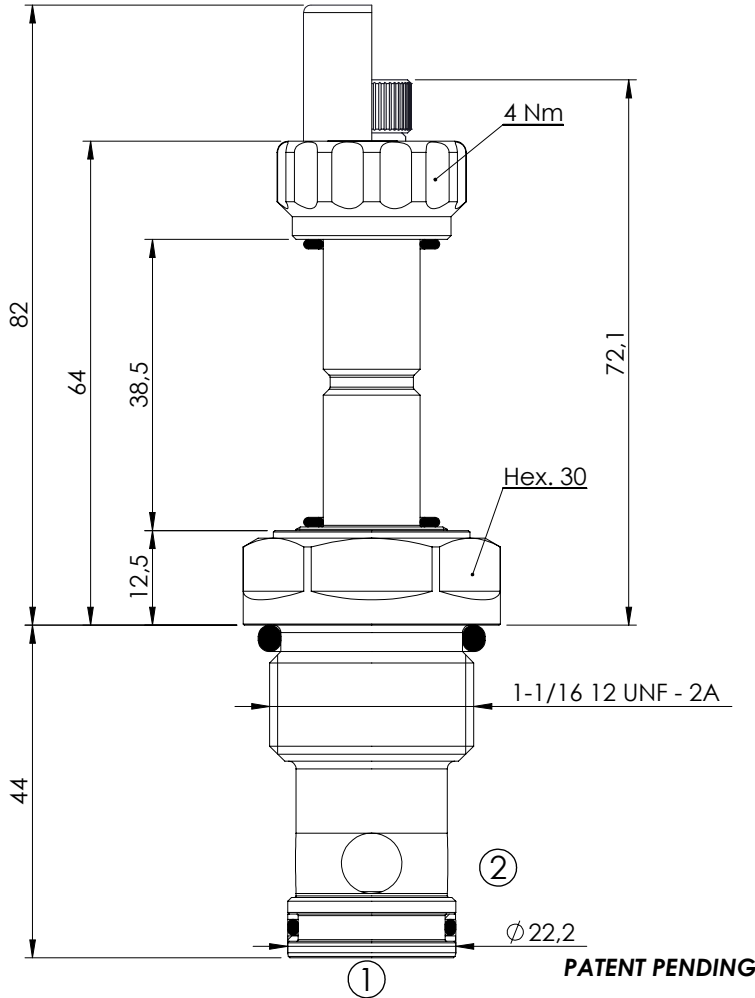
**ORDERING CODES**

Quick code	Description	Options	Max operating pressure (bar)	
CE000296	CEBN-100-NCFN-31-057-N350	Standard	350	
CE000298	CEBN-100-NCFK-31-057-N350	Knob style override	350	
CE000596	CEBN-100-NCFN-31-057-N500	Standard	500	
CE000598	CEBN-100-NCFK-31-057-N500	Knob style override	500	

**SOLENOID OPERATED CARTRIDGE**

**CEBN-180-NCFN**

**PILOT OPERATED  
POPPET TYPE**

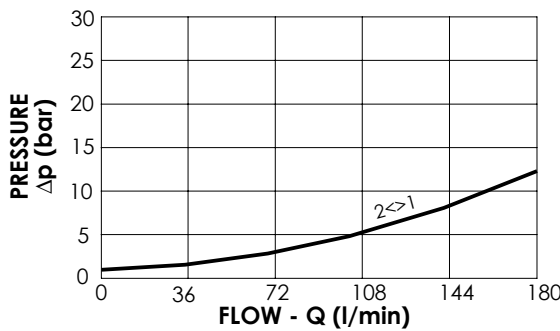


**SPECIFICATIONS**

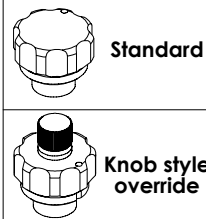
Max. operating pressure:	350/500 bar
Rated flow:	180 l/min
Cavity:	SAE-12-2N
Weight:	0,25 kg
Min. voltage required:	90% of nominal
Coil type:	M7 type
Seal kit:	RB900083

**NOTES**

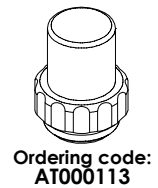
Installation torque: 75 - 82 Nm



**OPTIONS**



**SEALING CAP**



Ordering code: AT000113

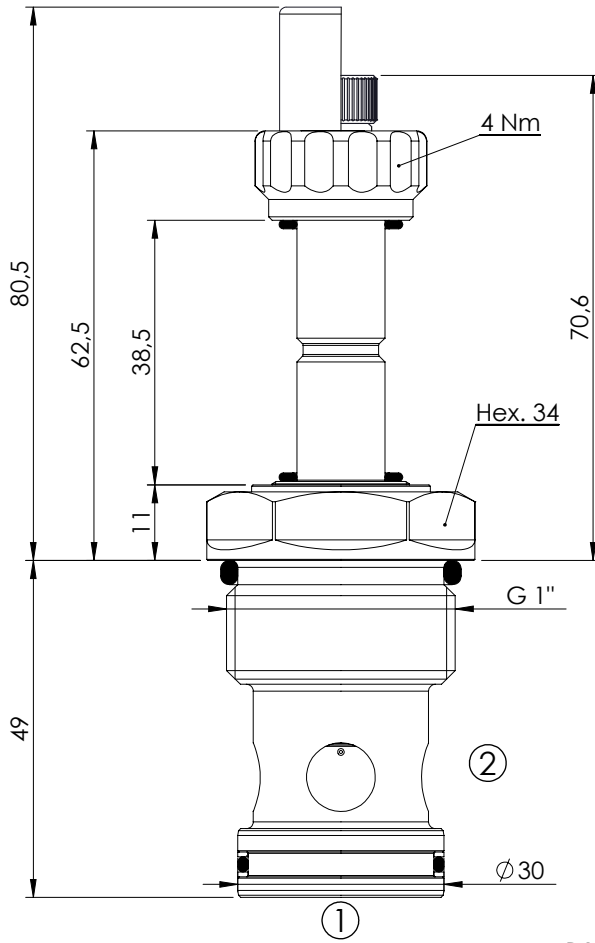
**ORDERING CODES**

Quick code	Description	Options	Max operating pressure (bar)
CE000331	CEBN-180-NCFN-31-S12-N350	Standard	350
CE000333	CEBN-180-NCFK-31-S12-N350	Knob style override	350
CE000631	CEBN-180-NCFN-31-S12-N500	Standard	500
CE000633	CEBN-180-NCFK-31-S12-N500	Knob style override	500

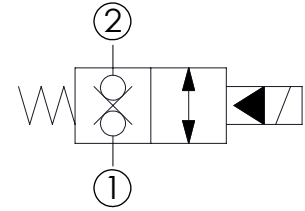
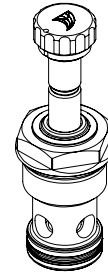
**SOLENOID OPERATED CARTRIDGE**

**CEBN-200-NCFN**

**PILOT OPERATED  
POPPET TYPE**



PATENT PENDING

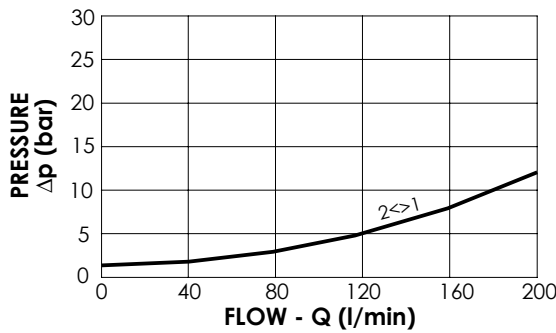


**SPECIFICATIONS**

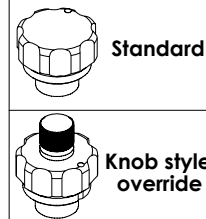
Max. operating pressure:	350/500 bar
Rated flow:	200 l/min
Cavity:	VP000013
Weight:	0,35 kg
Min. voltage required:	90% of nominal
Coil type:	M7 type
Seal kit:	RD900013

**NOTES**

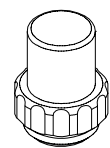
Installation torque: 145 - 160 Nm



**OPTIONS**



**SEALING CAP**



Ordering code:  
AT000113

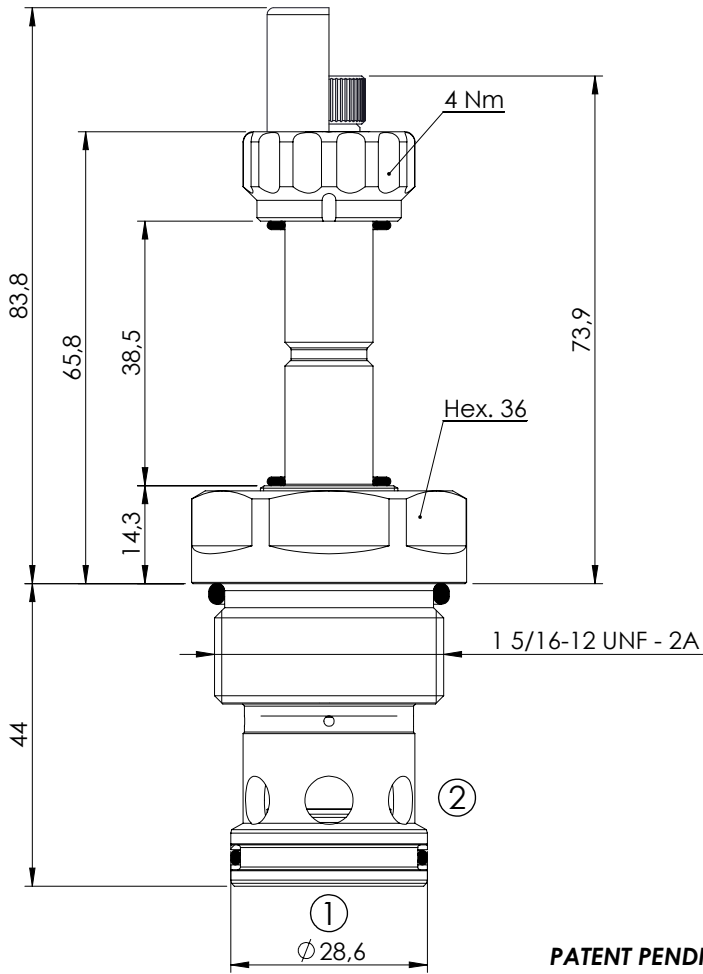
**ORDERING CODES**

Quick code	Description	Options	Max operating pressure (bar)
CE000366	CEBN-200-NCFN-31-013-N350	Standard	350
CE000368	CEBN-200-NCFK-31-013-N350	Knob style override	350
CE000666	CEBN-200-NCFN-31-013-N500	Standard	500
CE000668	CEBN-200-NCFK-31-013-N500	Knob style override	500

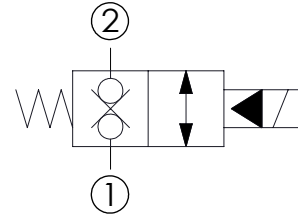
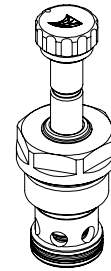
**SOLENOID OPERATED CARTRIDGE**

**CEBN-300-NCFN**

**PILOT OPERATED  
POPPET TYPE**



PATENT PENDING

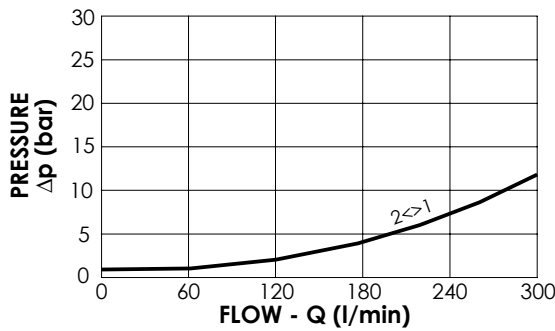


**SPECIFICATIONS**

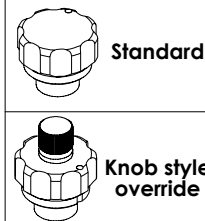
Max. operating pressure:	350/500 bar
Rated flow:	300 l/min
Cavity:	SAE-16-2N
Weight:	0,36 kg
Min. voltage required:	90% of nominal
Coil type:	M7 type
Seal kit:	RB900084

**NOTES**

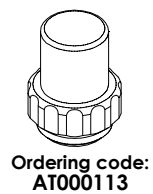
Installation torque: 118 - 132 Nm



**OPTIONS**



**SEALING CAP**



**ORDERING CODES**

Quick code	Description	Options	Max operating pressure (bar)
CE000401	CEBN-300-NCFN-31-S16-N350	Standard	350
CE000403	CEBN-300-NCFK-31-S16-N350	Knob style override	350
CE000701	CEBN-300-NCFN-31-S16-N500	Standard	500
CE000703	CEBN-300-NCFK-31-S16-N500	Knob style override	500