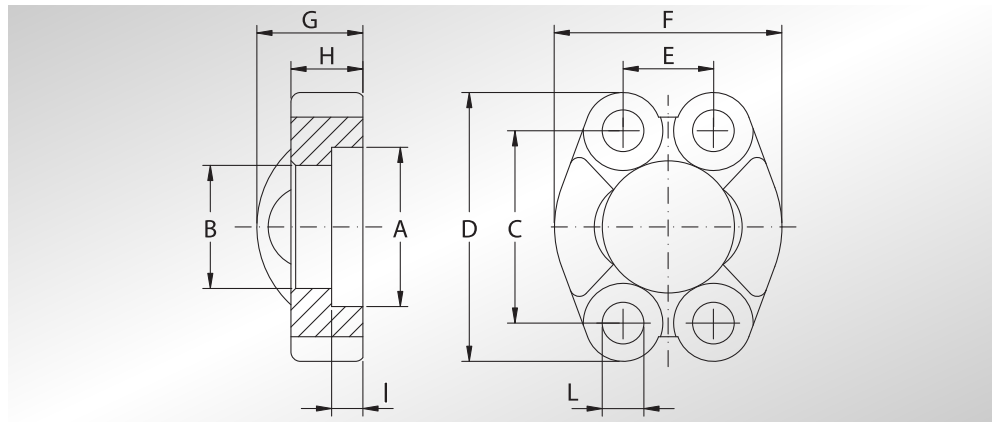




**SEMIFLANGE  
INTERE**

**UNCUT  
SPLIT FLANGES**



Pressione max di esercizio raccomandata Kg/cm <sup>2</sup>	Grandezza	Tipo	Dimensioni										Viti		Peso Kg
Maximum recommended working pressure Kg/cm <sup>2</sup>	Size	Type	Dimensions										Screws		Weight Kg
			A	B	C	D	E	F	G	H	I	L	Metric	Unc	

**SERIE 3000**

345	1/2"	AFSI301	30,96	24,26	38,10	54	17,48	45,6	19	13	6,22	8,75	M8x30	5/16x1"1/4	0,12
345	3/4"	AFSI302	38,89	32,13	47,63	65	22,23	51,8	22	14	6,22	10,75	M10x35	3/8x1"1/2	0,16
345	1"	AFSI303	45,24	38,48	52,37	70	26,19	58,4	24	16	7,49	10,75	M10x35	3/8x1"1/2	0,22
276	1"1/4	AFSI304	51,59	43,69	58,72	79	30,18	72,6	22	14	7,49	12,00	M10x35	—	0,30
276	1"1/4	AFSI304L1075	51,59	43,69	58,72	79	30,18	72,6	22	14	7,49	10,75	M10x35	—	0,30
276	1"1/4	AFSI304L1275	51,59	43,69	58,72	79	30,18	72,6	22	14	7,49	12,75	M12x35	—	0,30
207	1"1/2	AFSI305	61,09	50,80	69,85	94	35,71	82,2	25	16	7,49	13,50	M12x35	—	0,43
207	1"1/2	AFSI305L1475	61,09	50,80	69,85	94	35,71	82,2	25	16	7,49	14,75	M14x45	—	0,43
207	2"	AFSI306	72,24	62,74	77,77	102	42,88	96,4	26	16	9,02	13,50	M12x35	—	0,56
207	2"	AFSI306L1475	72,24	62,74	77,77	102	42,88	96,4	26	16	9,02	14,75	M14x45	—	0,54
172	2"1/2	AFSI307	84,94	74,93	88,90	114	50,80	108,2	38	19	9,02	13,50	M12x40	1/2x1"3/4	0,74
172	2"1/2	AFSI307L1475	84,94	74,93	88,90	114	50,80	108,2	38	19	9,02	14,75	M14x45	—	0,74
138	3"	AFSI308	102,39	90,93	106,38	135	61,93	130,6	41	22	9,02	16,75	M16x50	5/8x2"	1,30
34	3"1/2	AFSI309	115,10	102,36	120,65	152	69,85	139,0	28	22	10,72	17,00	M16x50	5/8x2"	1,27
34	4"	AFSI310	127,79	115,06	130,18	162	77,77	152,0	35	25	10,72	17,00	M16x50	5/8x2"	1,65
34	5"	AFSI311	153,19	140,46	152,40	184	92,08	180,0	41	28	10,72	17,00	M16x50	5/8x2"	2,50

**SERIE 6000**

414	1/2"	AFSI601	32,54	24,64	40,49	56	18,24	47,2	22	16	7,24	8,75	M8x30	5/16x1"1/4	0,16
414	3/4"	AFSI602	42,06	32,51	50,80	71	23,80	60,0	28	19	8,26	11,00	M10x35	3/8x1"1/2	0,34
414	1"	AFSI603	48,41	38,86	57,15	81	27,76	69,6	33	24	9,02	13,00	M12x45	—	0,51
414	1"	AFSI603L12	48,41	38,86	57,15	81	27,76	69,6	33	24	9,02	12,00	—	7/16x1"3/4	0,51
414	1"1/4	AFSI604	54,76	44,45	66,68	95	31,75	77,2	38	27	9,78	15,00	M14x45	—	0,80
414	1"1/4	AFSI604L13	54,76	44,45	66,68	95	31,75	77,2	38	27	9,78	13,50	M12x45	1/2x1"3/4	0,80
414	1"1/2	AFSI605	64,29	51,56	79,38	113	36,50	95,0	43	30	12,07	17,00	M16x50	5/8x2"	1,44
414	2"	AFSI606	80,16	67,56	96,82	133	44,45	113,8	52	37	12,07	21,00	M20x70	3/4x2"1/2	2,10

DESIGNAZIONE PER ORDINE DESIGNATION FOR ORDER	Materiale / Material	
	ST52.3	AISI 316L
Solo semiflanguia intera Only uncut split flange	<b>AFSI... AFSI...L</b>	<b>AFXI... AFXI...L</b>
Semiflanguia intera completa di viti metriche, grower e o-ring Uncut split flange complete of metric screws, grower type washers and o-ring	<b>AFSI...M</b>	<b>AFXI...M</b>
Semiflanguia intera completa di viti unc, grower e o-ring Uncut split flange complete of unc screws, grower type washers and o-ring	<b>AFSI...U</b>	<b>AFXI...U</b>

**NOTE / NOTES**

Rivestimento superficiale: zincatura gialla.  
Superficial coating: yellow zinking.

set viti unc disponibili solo in acciaio al carbonio.  
unc screws set available only in carbon steel.