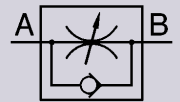




FT 1251/5-01



PRESS-FORGED CONTROL VALVES IN BRASS-58

In line single-acting needle control valves (Female/Female)

They allow for regulation of flow in one direction and full free flow in the opposed direction.
As an alternative to FT 257/5 where the working pressure does not exceed 210 bar and when ferrous materials cannot be used.

Suitable for application with air, gas and liquids in general. Same basic characteristics as the FT 257 series:

- full shut off via metal seal;
- simple setting of flow rates;
- secure against accidental needle withdrawal;
- secure needle position with locking screw inserted in the handwheel;
- provisions for panel mounting, for which special lock nut (G) is supplied (on request only).

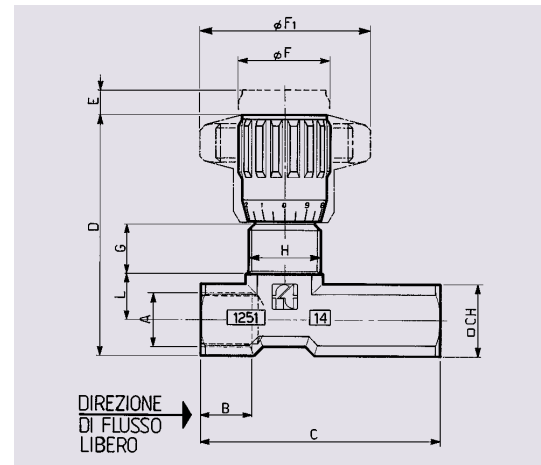
Max. working pressure is 210 bar.

On request

- Seals in Viton (V)
- NPT threads
- Handwheel in ABS (mp) plastic
- Complete with lock nut (G)

MATERIALS

Body	OT 58 - UNI 5705 - Nickel plated
Needle	X 10 Cr Ni S 1809 - UNI 6900
Or	Nitrile
Antiextrusion ring	PTFE
Handwheel ma	GD - Al Si 12 UNI 5706 aluminium
Handwheel mp	ABS plastic
Spring	AISI 302
Ball	UNI 100 C 6
Ball guide	Nylon 66 + carbon fibre



EXAMPLE FOR ORDERING

CODE
FT 1251/5-01

Accessories on request

	Code	Type	Lock nut	Viton seal	Handwheel ABS plastic
Brass	FT 1251/5-01	38	G	V	mp

Type	A UNI 338	B	C	D	E	F	F1	G	H	L	CH	Weight kg
14	1/4"G	12	56	57	4.5	22	40	11.5	M17x1	11	17	0.138
38	3/8"G	13	64.5	69	7	27	50	12.5	M20x1	15	22	0.259
12	1/2"G	16	87	82	10	33	70	13	M25x1.5	19	27	0.499
34	3/4"G	20	115	100	12	38	80	15	M30x1.5	22	34	0.975

Note: Instructions for panel mounting on page 86



PRINT