



# FT 267/2



## CARTRIDGE MOUNTED SHUT-OFF AND CONTROL NEEDLE VALVES

### Double-acting needle control valves for cartridge mounting

Flow control in both directions.

On request

- AISI version 316 stainless steel code FT 2267/2
- They are provided with seals in Viton (V)
- Handwheel in ABS-plastic



### MATERIALS

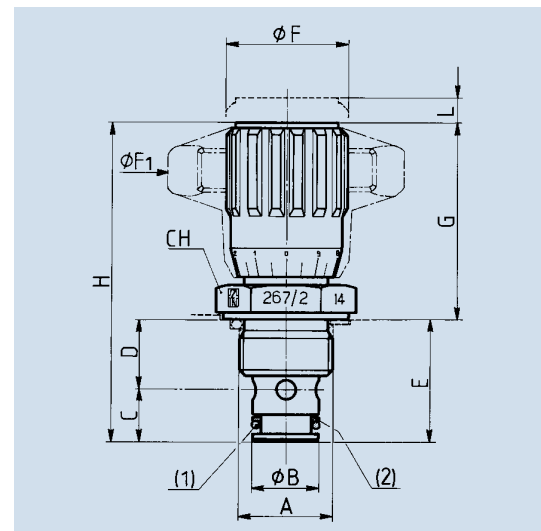
Body	9 S Mn Pb 23 - UNI 5105
Needle	1 C 40 - UNI 8373
Or	Nitrile
Antiextrusion ring	PTFE
Handwheel	GD - Al Si 12 - UNI 5706 aluminium
Handwheel (mp)	ABS - plastic

### Kit of seals for seat

Type	(1) OR	(2) BK
18	108	108
14	2043	2043
38	2050	2050
12	2062	2062
34	130	130
100	3118	3118

### Kit of seals for needle

Type	OR	BK
18	2018	2018
14	2021	2021
38	108	108
12	2043	2043
34	115	115
100	123	123



### EXAMPLE FOR ORDERING

CODE FT 267/2

### Accessories on request

	Code	Type	Viton seal	Plastic handwheel
Steel	FT 267/2	38	V	mp
Stainl. Steel	FT 2267/2	12	-	mp

Type	A	B	C	D	E	F	F1	G	H	L	CH	Weight kg
	UNI 4534											
18	M15x1	12	9.3	11.2	20.5	22	40	35	55.5	5	22	0.064
14	M20x1.5	14	11	15.5	26.5	27	50	42.5	68.5	7	27	0.125
38	M20x1.5	16	13	17.5	30.5	33	70	48.5	78.5	9	27	0.180
12	M27x2	19	15.5	24.5	40	38	80	56	96	10.5	32	0.305
34	M33x2	27	18	26	44	47	100	63.5	109	13	41	0.580
100	M42x2	35	21	31.5	52.5	58	120	82	134.5	20	50	1.185



HOME



INTRODUCTION



VALVES INDEX



LAST VIEW



PRINT