



# FT 267/5

## CARTRIDGE MOUNTED SHUT-OFF AND CONTROL VALVES NEEDLE VALVES

### Single-acting needle control valves for cartridge mounting

They control and eventually shut-off the flow in one direction, allowing a free return in the opposed direction. Non-return valve set at 0.35 bar.

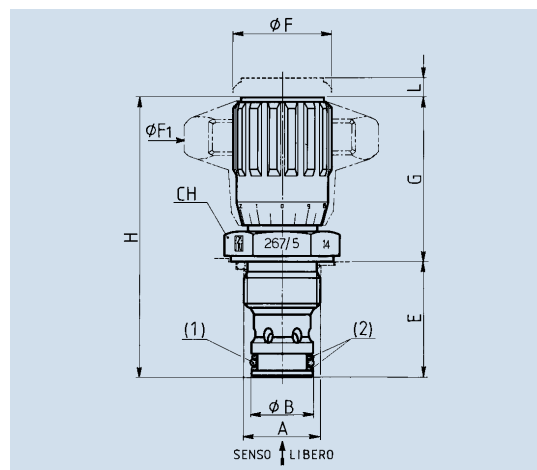
#### On request

- AISI version 316 stainless steel code FT 2267/5
- They are provided with Viton seals (V)
- Handwheel in ABS plastic

Kit of seals for seat		
Type	(1) OR	(2) BK speciale
14	2050	BK 14 (FT)
38	2062	BK 38 (FT)
12	130	BK 12 (FT)
34	3118	BK 34 (FT)
100	3156	3156

Kit of seals for needle		
Type	OR	Anello antiestrusione
14	2012	200-801
38	2018	2018
12	106	106
34	108	108
100	112	112

Body	9 S Mn Pb 23 - UNI 5105
Needle	38 Ni Cr Mo 4 - UNI - EN 10083
Or	Nitrile
Antiextrusion ring	PTFE
Check valve	38 Ni Cr Mo 4 - UNI - EN 10083
Spring	C 72 - UNI 3545
Handwheel	GD - Al Si 12 - UNI 5706 aluminium
Handwheel (mp)	ABS - plastic



### MATERIALS

### EXAMPLE FOR ORDERING



HOME



INTRODUCTION



VALVES INDEX



LAST VIEW



PRINT



Accessories on request				
	Code	Type	Viton seal	Handwheel in plastic
Steel	FT 267/5	34	V	mp
Stainl. Steel	FT 2267/5	12	-	mp

Type	A	B	E	F	F1	G	H	L	CH	Weight kg
	UNI 4534									
14	M20x1.5	16	30.5	27	50	43	73.5	4	27	0.130
38	M27x2	19	40	33	49	70	89	6	32	0.250
12	M33x2	27	44.5	38	60	80	104.5	7	41	0.340
34	M42x2	35	52.5	47	70	100	112.5	8	50	0.620
100	M52x2	45	64.5	58	120	85	149.5	12	60	1.632

CODE  
FT 267/5