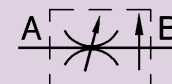




FT 287/2



PRESSURE COMPENSATED FLOW CONTROL VALVES

Cartridge mounted pressure compensated flow control valves

They are essentially composed of the central body of valves series FT 277/2 which may be screwed in units preset by the user. The construction and functional characteristics reflect exactly those described for the two inlet valves. It is recommended to keep them in their protective wrapping until the mounting, in order to avoid possible drawbacks caused by eventual entry of particles into the delicate and essential parts for a good working.

On page 46 is proposed a machining scheme for the embedding seat, which has to be observed to ensure the necessary accuracy of the valve. The constructive system allows the user, already provided with those versions, either to request the two inlet base bodies only, so as to allow

their quick transformation, or to store the single standard components to assemble in the various types according to the need.

On request

- Seals in Viton (V)

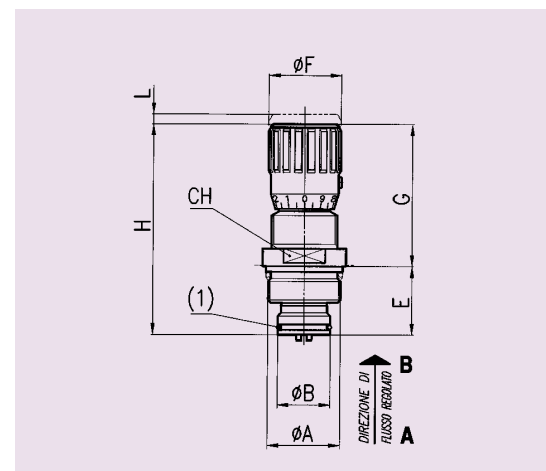
MATERIALS

Cartridge body	9 S Mn Pb 23 - UNI 5105
Compensation unit	38 Ni Cr Mo 4 - UNI - EN 10083
Or	Nitrile
Antiextrusion ring	PTFE
Handwheel	GD - Al Si 12 UNI 5706 aluminium



EXAMPLE FOR ORDERING

Accessori a richiesta		
Code	Type	Viton seal
FT 287/2	38	V



CODE FT 287/2

Type	A UNI 4534	B	E	G	F	H	L	CH	OR 1	Weight kg
14	M33x1.5	24	31	64.5	33	95.5	4.5	32	2081	0.350
38	M39x1.5	30	34.5	82	38	116.5	6	38	2106	0.580
12	M48x2	35	42	92.5	47	134.5	6.5	45	3118	0.960
34	M55x2	40	49	115	58	164	7.5	55	3137	1.700

Note: Instructions for panel mounting on page 46



HOME



INTRODUCTION



VALVES INDEX



LAST VIEW



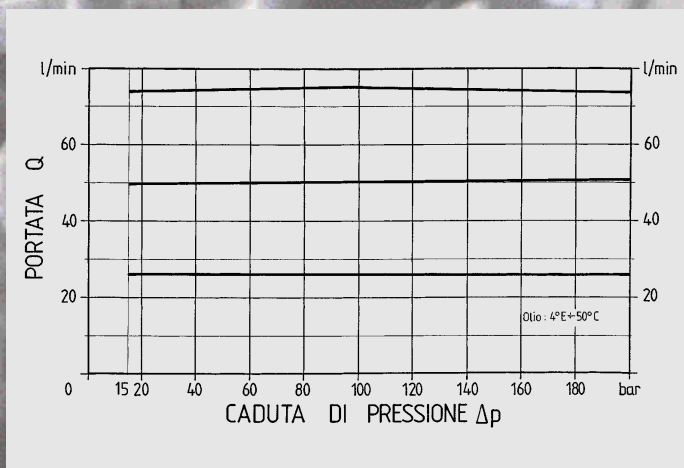
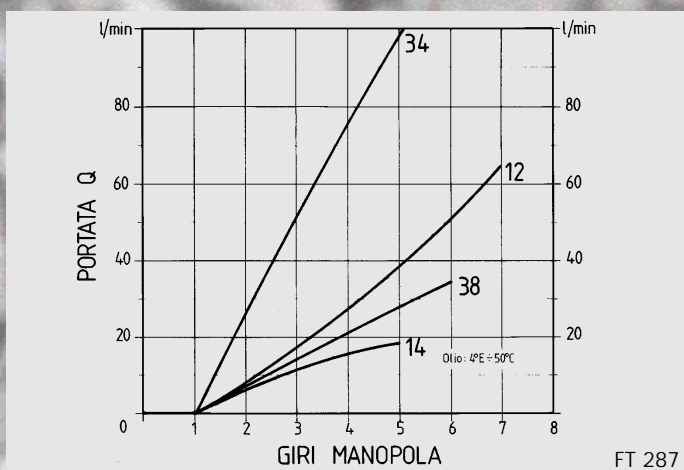
PRINT



Type	Max. working pressure bar	Min. working Δp bar	Working temperature °C	Filtration grade μm absolute
14	320	7.5	-20°/+70°	25
38	320	10	-20°/+70°	25
12	320	12	-20°/+70°	25
34	320	15	-20°/+70°	25

TECHNICAL DATA

FLOWRATE CURVES



HOME



INTRODUCTION



VALVES INDEX



LAST VIEW



PRINT