

Technical data

These pressure diecast aluminium alloy doors offer superior mechanical strength and are manufactured to DIN 24339 standard. They provide easy access to the inside of the oil tank for inspection and cleaning purposes.

On request and for small quantities, to be agreed with MP Filtri Technical and Sales Department, inspection doors can be supplied with:

- Customer logo.
- Hole cut for visual level indicator.
- Hole cut for visual and electrical level indicator.
- Oil sample plug

Compatibility with fluids

- Mineral oils types HH-LL-HM-HR-HV-HC, to ISO 6743/4 standard
- Water based emulsions types HF AE-HFAS, to ISO 6743/4 standard
- Water glycol type HFC, to ISO 6743/4 standard: ask for anodized version

Materials

Cleaning covers: pressure diecast aluminium alloy/cast iron
Seal: NBR 70 Shore A

Temperature

From -30 °C to +80 °C

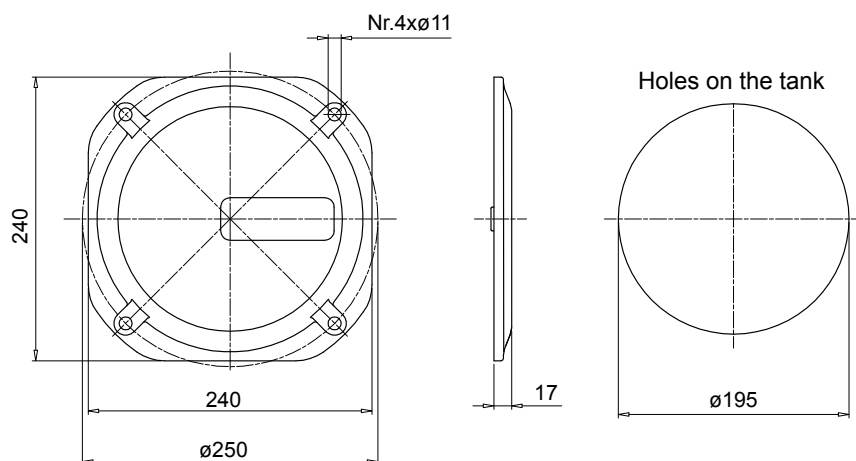
Special Applications

Any applications not covered by the normal indications contained in this catalogue must be evaluated and approved by MP Filtri Technical and Sales Department.

Dimensions

Cleaning cover according to DIN 24339

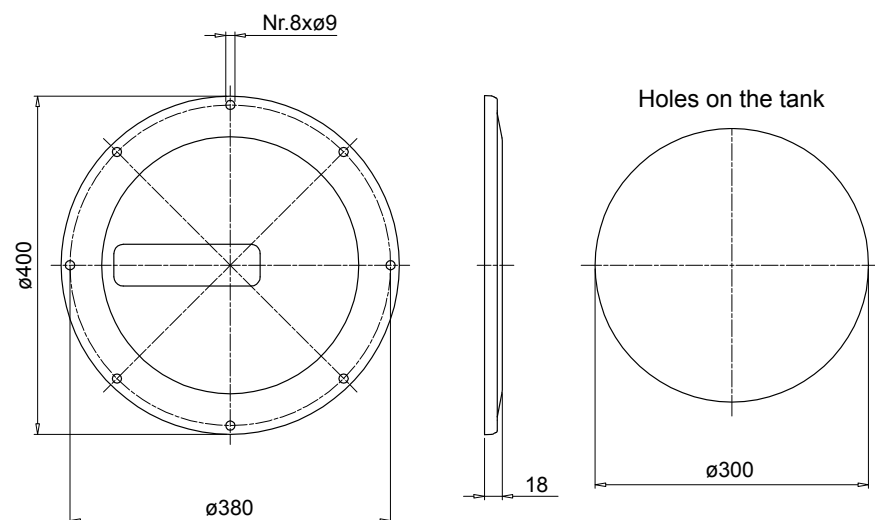
OB275



Code	Description	Seal	Weight [kg]
OB275P01GN	Door with MP Logo	NBR	2.06
OB275P02GN	Blank cover	NBR	2.06
OB275P01GV	Door with MP Logo	FMP	2.06
OB275P02GV	Blank cover	FMP	2.06

Code	Description	Weight [kg]
OB275P01	Door with MP Logo	1.76
OB275P02	Blank cover	1.76
GU0275NBR	Seal	1.76
GU2750V TN	Seal	1.76

OB400

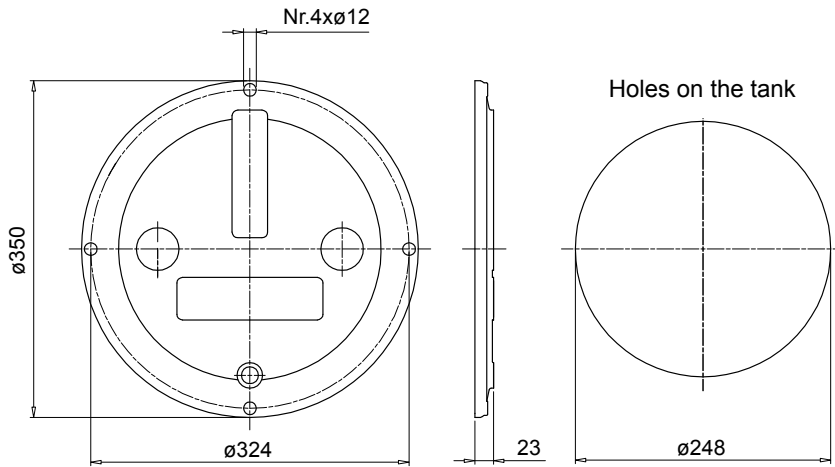


Code	Description	Seal	Weight [kg]
OB400P01GN	Door with MP Logo	NBR	3.20
OB400P02GN	Blank cover	NBR	3.20
OB400P01GV	Door with MP Logo	FMP	3.20
OB400P02GV	Blank cover	FMP	3.20

Code	Description	Weight [kg]
OB400P01	Door with MP Logo	2.90
OB400P02	Blank cover	2.90
GU0400DINNBR	Seal	2.90
GU0400DINV TN	Seal	2.90

Dimensions

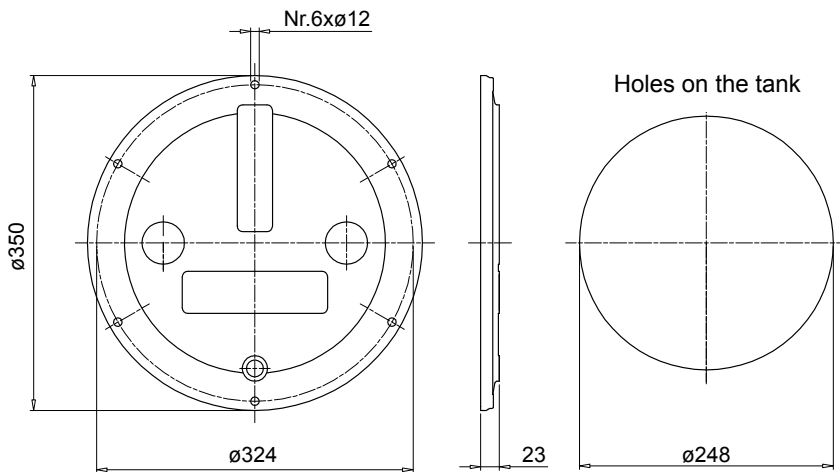
OB350



Code	Description	Seal	Weight [kg]
OB350P01GN	Door with MP Logo	NBR	2.10
OB350P02GN	Blank cover	NBR	2.10
OB350P01GV	Door with MP Logo	FMP	2.10
OB350P02GV	Blank cover	FMP	2.10

Code	Description	Weight [kg]
OB350DIN000	Door	1.80
GU0350DINNBR	Seal	1.80
GU0350DINV TN	Seal	1.80

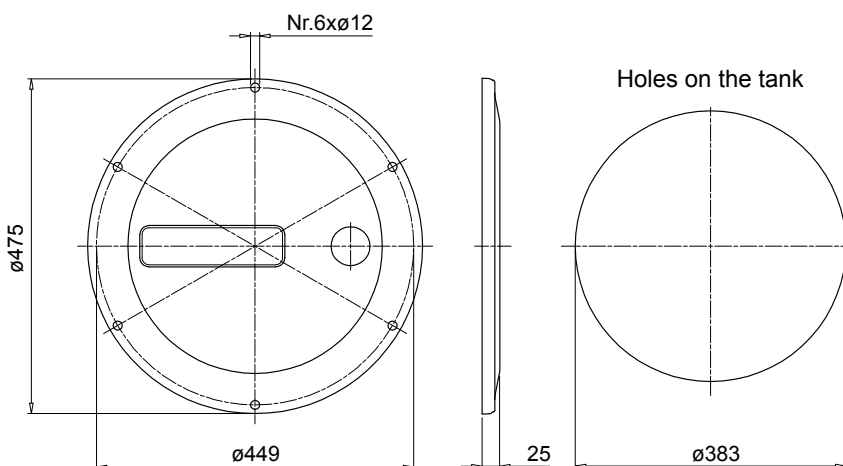
OB356



Code	Description	Seal	Weight [kg]
OB356P01GN	Door with MP Logo	NBR	2.10
OB356P02GN	Blank cover	NBR	2.10
OB356P01GV	Door with MP Logo	FMP	2.10
OB356P02GV	Blank cover	FMP	2.10

Code	Description	Weight [kg]
OB356DIN000	Door	1.80
GU0350DINNBR	Seal	1.80
GU0350DINV TN	Seal	1.80

OB475



Code	Description	Seal	Weight [kg]
OB475P01GN	Door with MP Logo	NBR	3.70
OB475P02GN	Blank cover	NBR	3.70
OB475P01GV	Door with MP Logo	FMP	3.70
OB475P02GV	Blank cover	FMP	3.70

Code	Description	Weight [kg]
OB475P01	Door with MP Logo	3.40
OB475P02	Blank cover	3.40
GU0475DINNBR	Seal	3.40
GU0475DINV TN	Seal	3.40