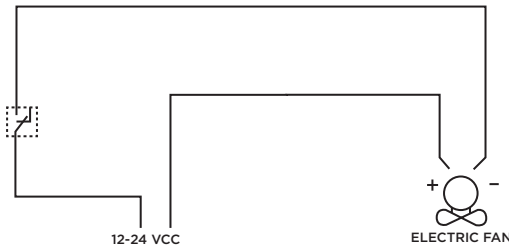
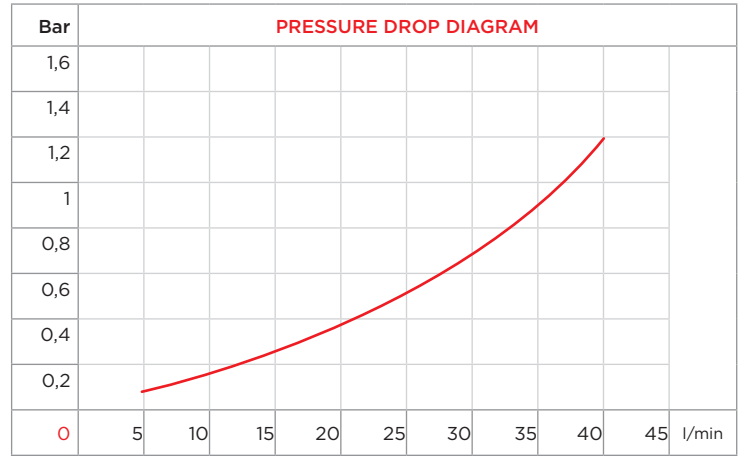
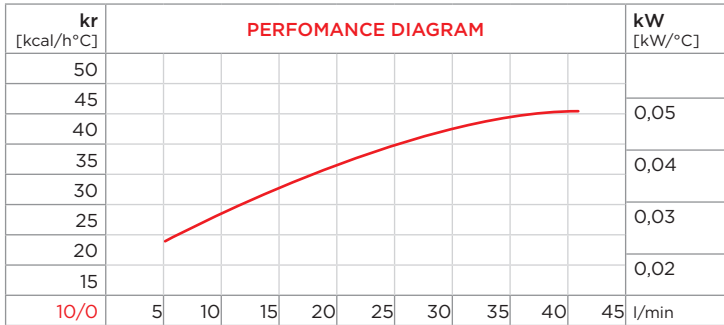


PURCHASE CODES

APL 170 12/24V without thermo switch	3RL17012 / 3RL17024
APL 170 12/24V with thermo switch	3RL17012T247 / 3RL17024T247 3RL17012T260 / 3RL17024T260

SPARE PARTS

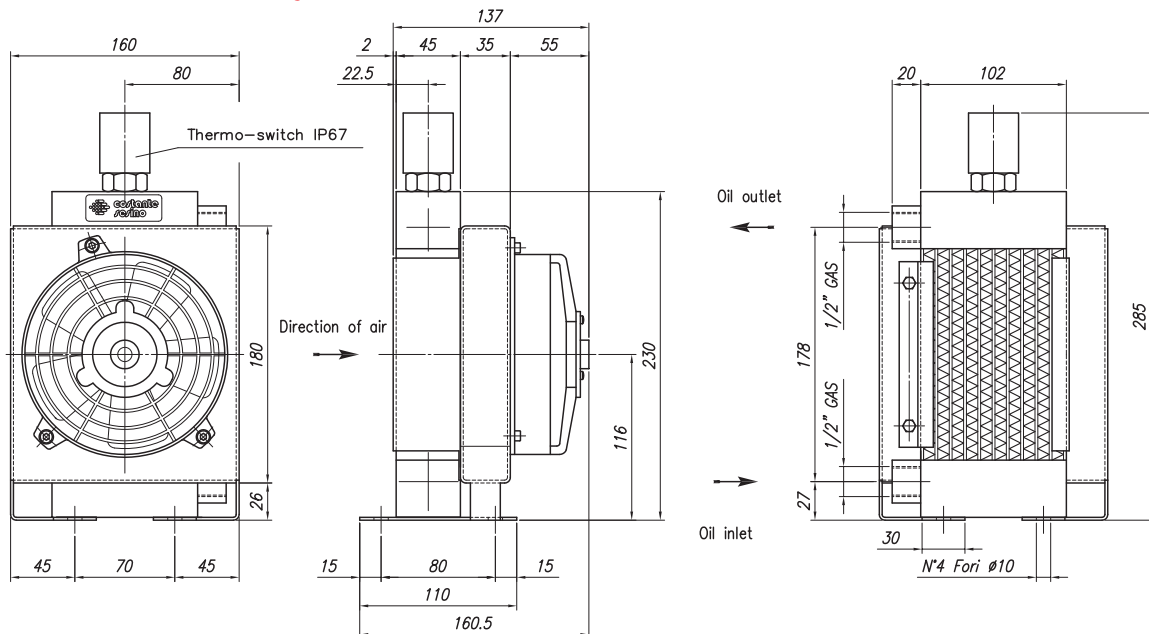
Thermo-switch 47-36 12V IP 67	1TRM47-36/12V
Thermo-switch 47-36 24V IP 67	1TRM47-36/24V
Thermo-switch 60-49 12V IP 67	1TRM60-49/12V
Thermo-switch 60-49 24V IP 67	1TRM60-49/24V
Cooling element	1RO92302
Frame	3CNL170.1
Frame support	3STFL170.1
12VDC Electric fan	1MCVA-37A101A
24VDC Electric fan	1MCVA-37B101A



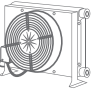
CORRECTION FACTOR

cSt	22	30	46	68	100	150	220
f	0,6	1	1,5	2,3	3,5	5	7

- Dimensions and technical characteristics are not binding



OIL FLOW	VOLTAGE	POWER	CURRENT	AIR FLOW	ELECTRIC PROTECTION	NOISE LEVEL	WEIGHT	CAPACITY	ø FAN
l/min	V	W	A	m³/h	IP	dB(A)	kg	lt.	mm
5-40	12	65	5,4	400	65	70	3	0,5	130
5-40	24	65	2,7	400	65	70	3	0,5	130



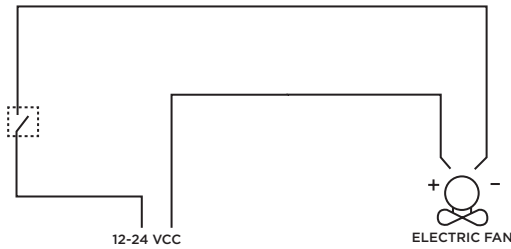
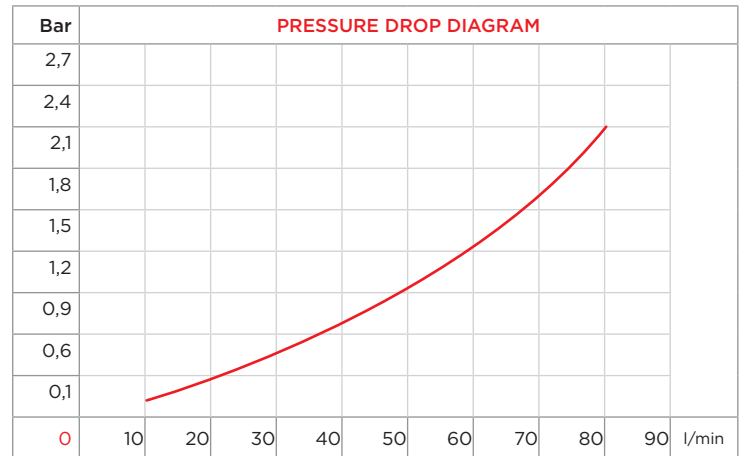
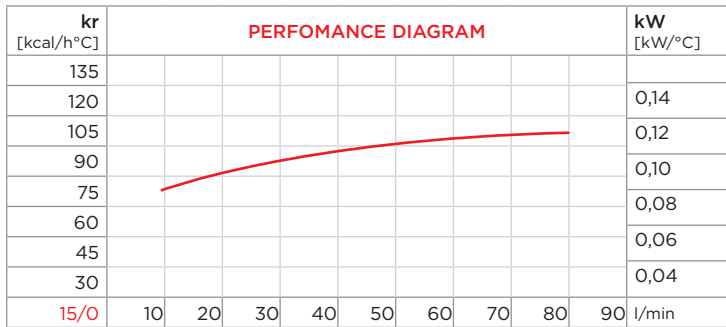
PURCHASE CODES

APL 240 12/24V without thermo switch	3RL24012 / 3RL24024
APL 240 12/24V with thermo switch	3RL24012T247 / 3RL24024T247 3RL24012T260 / 3RL24024T260



SPARE PARTS

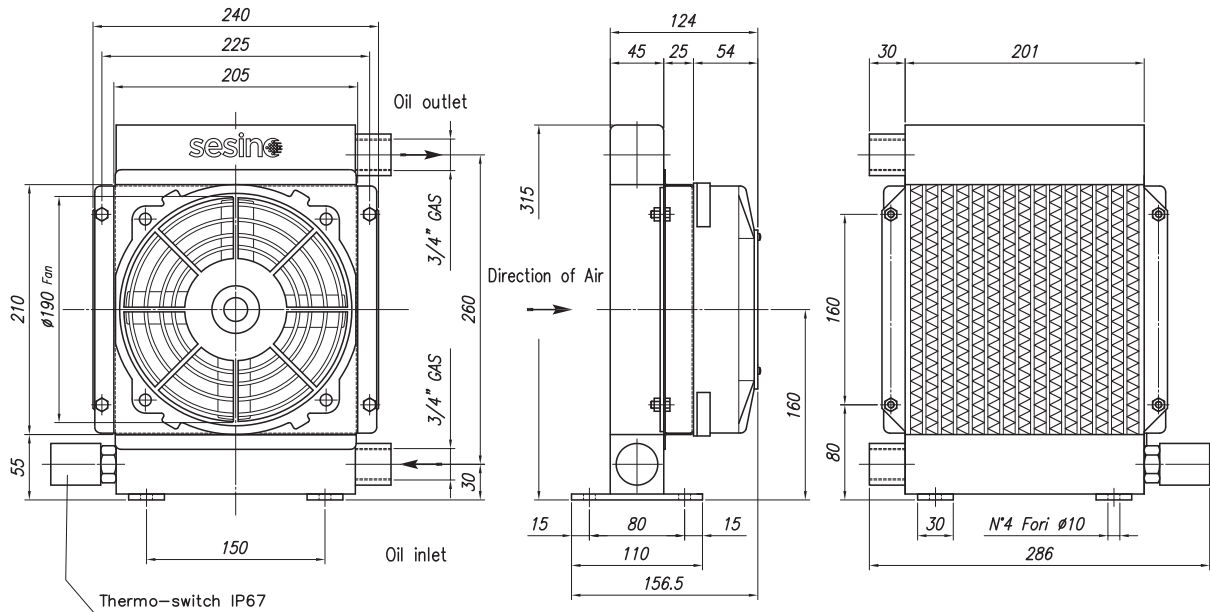
Thermo-switch 47-36 12V IP 67	1TRM47-36/12V
Thermo-switch 47-36 24V IP 67	1TRM47-36/24V
Thermo-switch 60-49 12V IP 67	1TRM60-49/12V
Thermo-switch 60-49 24V IP 67	1TRM60-49/24V
Cooling element	3RNAP260
Frame	3CNAP260.1
12VDC Electric fan	1MCVA14AP7AC
24VDC Electric fan	1MCVA14BP7AC



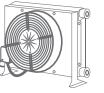
CORRECTION FACTOR

cSt	22	30	46	68	100	150	220
f	0,6	1	1,5	2,3	3,5	5	7

- Dimensions and technical characteristics are not binding



OIL FLOW	VOLTAGE	POWER	CURRENT	AIR FLOW	ELECTRIC PROTECTION	NOISE LEVEL	WEIGHT	CAPACITY	ø FAN
l/min	V	W	A	m³/h	IP	dB(A)	kg	lt.	mm
10-80	12	65	5,4	500	64	72	5	1	190
10-80	24	65	2,7	500	64	72	5	1	190

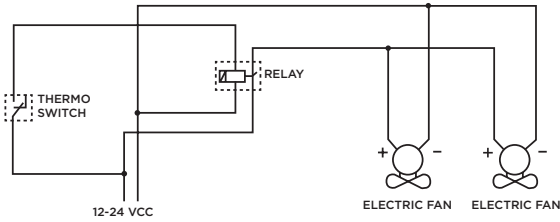
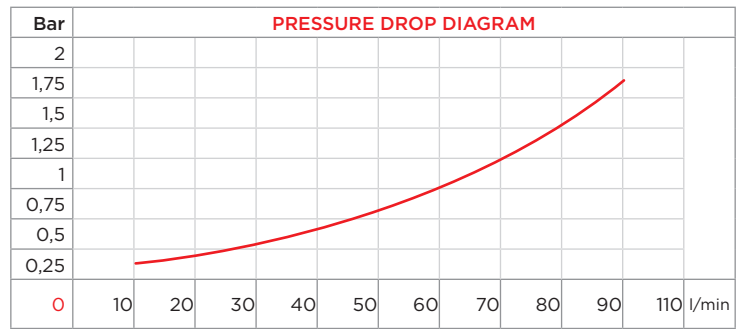
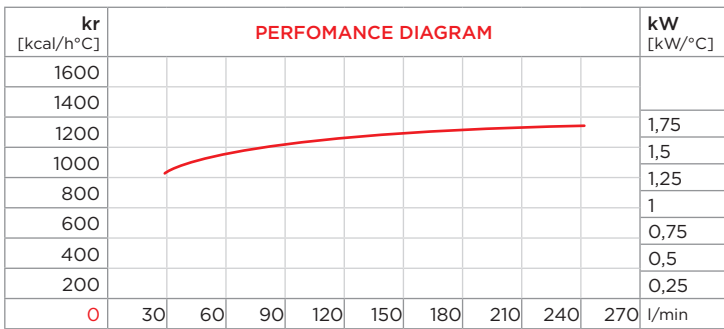


PURCHASE CODES

APL 2/463 12/24V without thermo switch	3RL2/46312 / 3RL2/46324
APL 2/463 12/24V with thermo switch	3RL2/46312T247 / 3RL2/46324T247 3RL2/46312T260 / 3RL2/46324T260

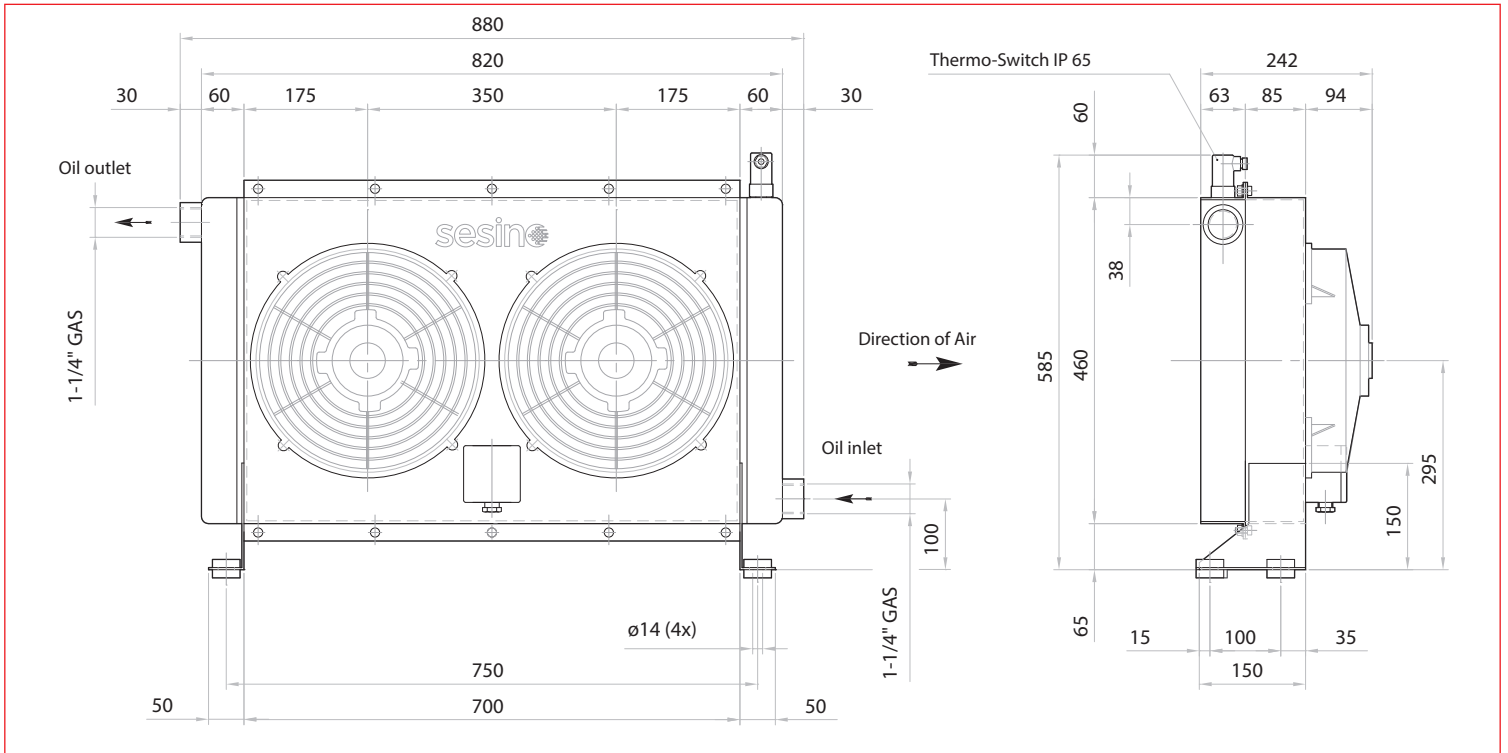
SPARE PARTS

Thermo-switch 60-49 IP 65	1TRM60-49
Thermo-switch 47-36 IP 65	1TRM47-36
Electric junction box	1CSSDBOPLA
12VDC Relay	1RLCOPAT12
24VDC Relay	1RLCOPAT
Shock isolating mounting (4 pcs)	3KIT4135
Cooling element	1RO01341
Frame	3CNL2/463.1
12VDC Electric fan	1VNAPL43012C
24VDC Electric fan	1VNAPL43024C



cSt	22	30	46	68	100	150	220
f	0,6	1	1,5	2,3	3,5	5	7

- Dimensions and technical characteristics are not binding



OIL FLOW	VOLTAGE	POWER	CURRENT	AIR FLOW	ELECTRIC PROTECTION	NOISE LEVEL	WEIGHT	CAPACITY	ø FAN
l/min	V	W	A	m³/h	IP	dB(A)	kg	lt.	mm
30-240	12	420	34	4.800	68	85	40	8	310
30-240	24	420	17	4.800	68	85	40	8	310

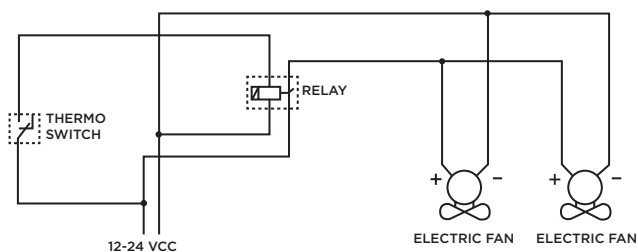
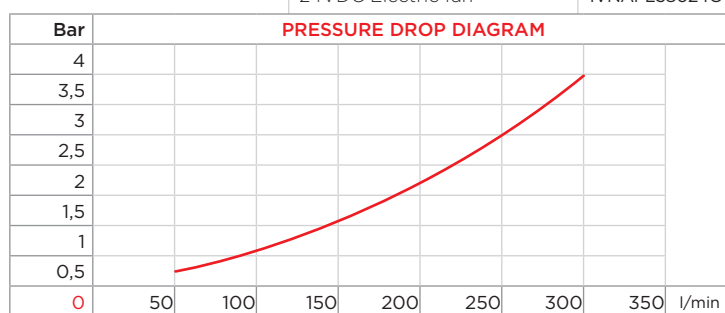
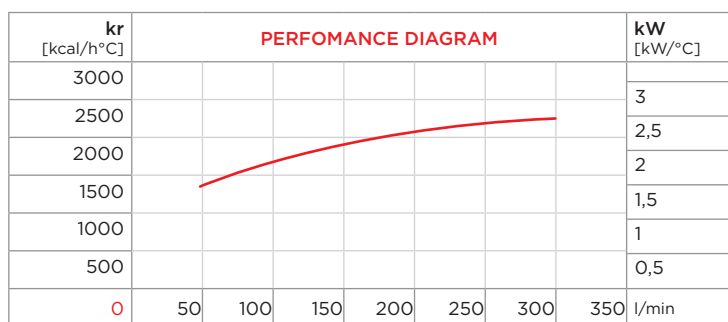


PURCHASE CODES

APL 2/580 12/24V without thermo switch	3RL2/58012 / 3RL2/58024
APL 2/580 12/24V with thermo switch	3RL2/58012T247 / 3RL2/58024T247 3RL2/58012T260 / 3RL2/58024T260

SPARE PARTS

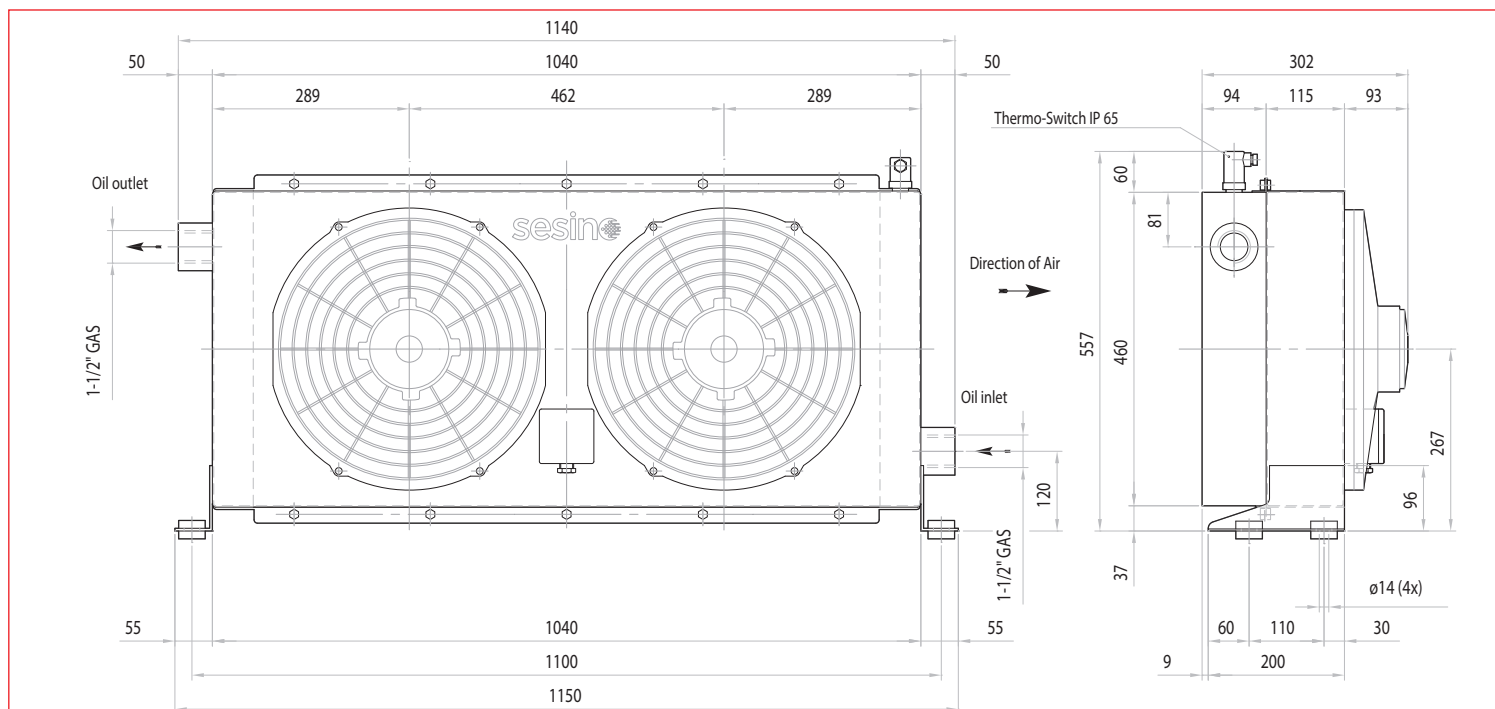
Thermo-switch 60-49 IP 65	1TRM60-49
Thermo-switch 47-36 IP 65	1TRM47-36
Electric junction box	1CSSDBOPLA
12VDC Relay	1RLCOPAT12
24VDC Relay	1RLCOPAT
Shock isolating mounting (4 pcs)	3KIT4135
Cooling element	1ROO0336
Frame	3CNL2/580.1
12VDC Electric fan	1MCVA18AP70AC
24VDC Electric fan	1VNAPL58024C



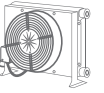
CORRECTION FACTOR

cSt	22	30	46	68	100	150	220
f	0,6	1	1,5	2,3	3,5	5	7

- Dimensions and technical characteristics are not binding



OIL FLOW	VOLTAGE	POWER	CURRENT	AIR FLOW	ELECTRIC PROTECTION	NOISE LEVEL	WEIGHT	CAPACITY	ø FAN
l/min	V	W	A	m ³ /h	IP	dB(A)	kg	lt.	mm
30-350	12	480	40	5.800	68	88	60	23	380
30-350	24	480	20	5.800	68	88	60	23	380

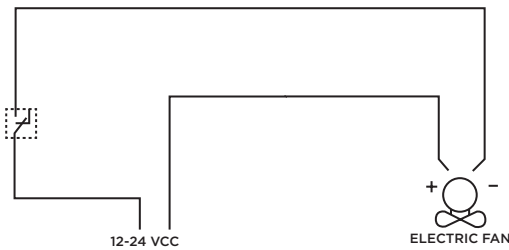
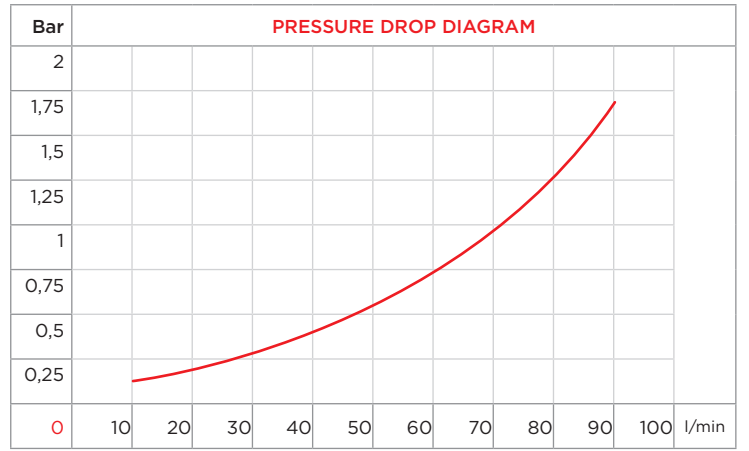
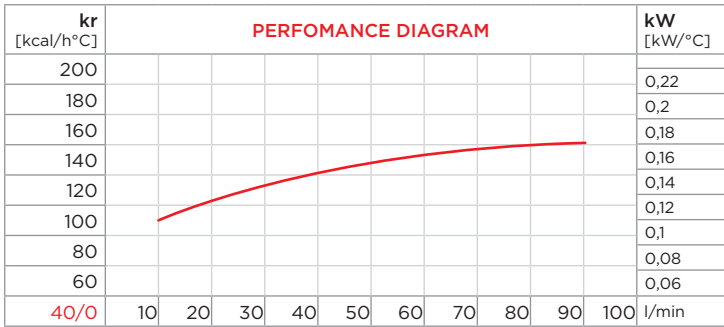


PURCHASE CODES

APL 263 12/24V without thermo switch	3RL26312 / 3RL26324
APL 263 12/24V with thermo switch	3RL26312T247 / 3RL26324T247 3RL26312T260 / 3RL26324T260

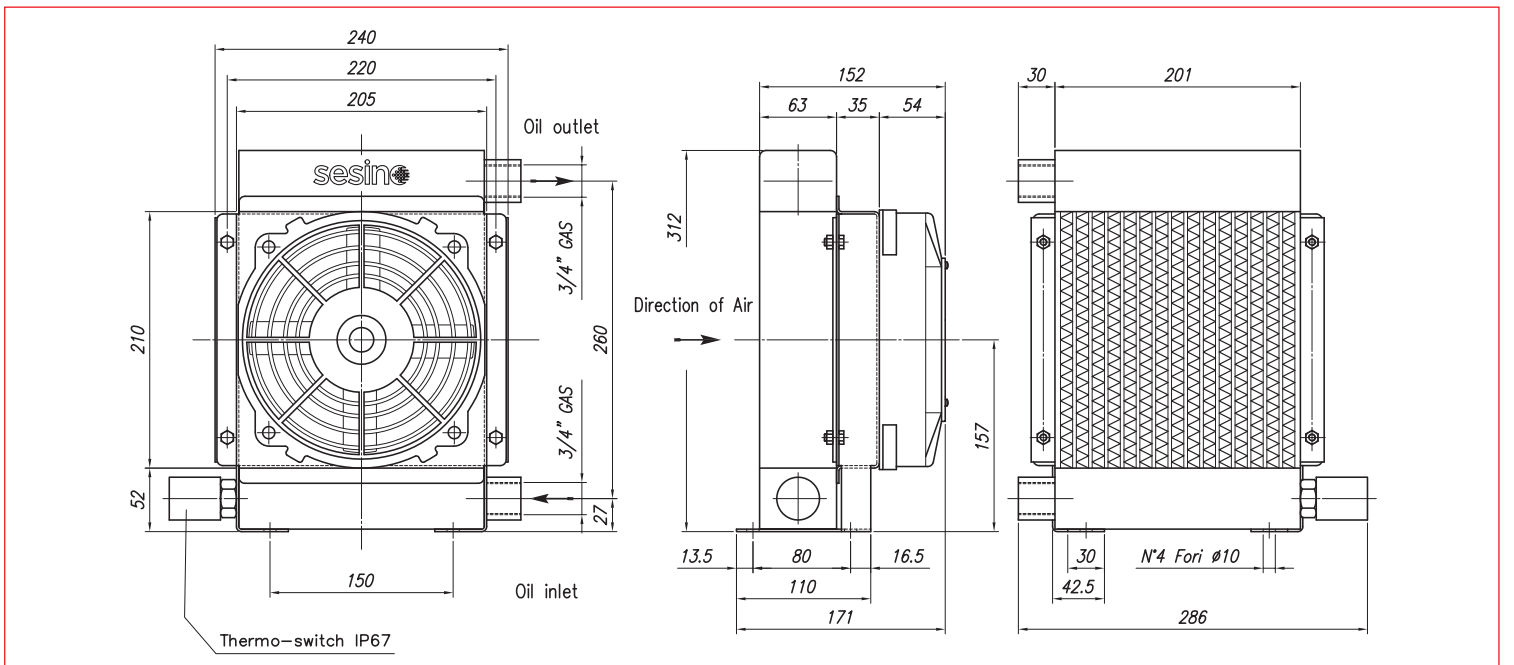
SPARE PARTS

Thermo-switch 47-36 12V IP 67	1TRM47-36/12V
Thermo-switch 47-36 24V IP 67	1TRM47-36/24V
Thermo-switch 60-49 12V IP 67	1TRM60-49/12V
Thermo-switch 60-49 24V IP 67	1TRM60-49/24V
Cooling element	3RNL263
Frame	3CNAP260.1
12VDC Electric fan	1MCVA14AP7AC
24VDC Electric fan	1MCVA14BP7AC

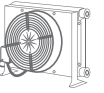


cSt	22	30	46	68	100	150	220
f	0,6	1	1,5	2,3	3,5	5	7

- Dimensions and technical characteristics are not binding



OIL FLOW	VOLTAGE	POWER	CURRENT	AIR FLOW	ELECTRIC PROTECTION	NOISE LEVEL	WEIGHT	CAPACITY	ø FAN
l/min	V	W	A	m³/h	IP	dB(A)	kg	lt.	mm
10-80	12	65	5,2	500	64	72	5	1	190
10-80	24	65	2,6	500	64	72	5	1	190



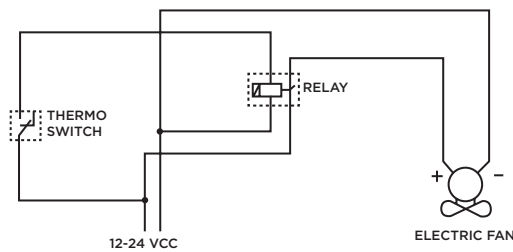
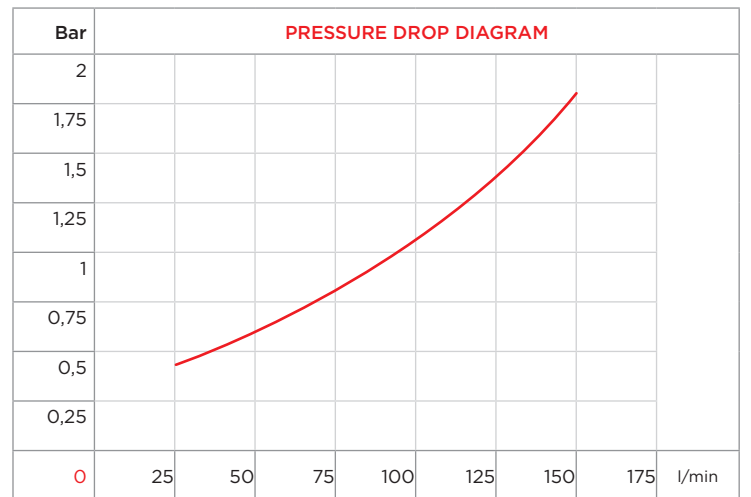
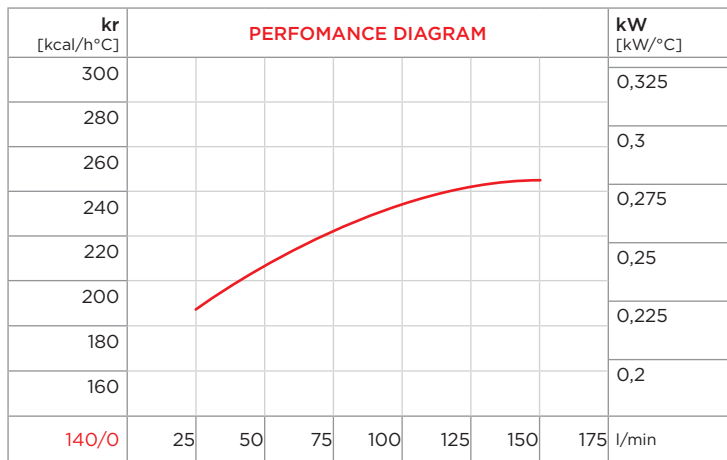
PURCHASE CODES

APL 300 12/24V without thermo switch	3RL30012 / 3RL30024
APL 300 12/24V with thermo switch	3RL30012T247 / 3RL30024T247 3RL30012T260 / 3RL30024T260



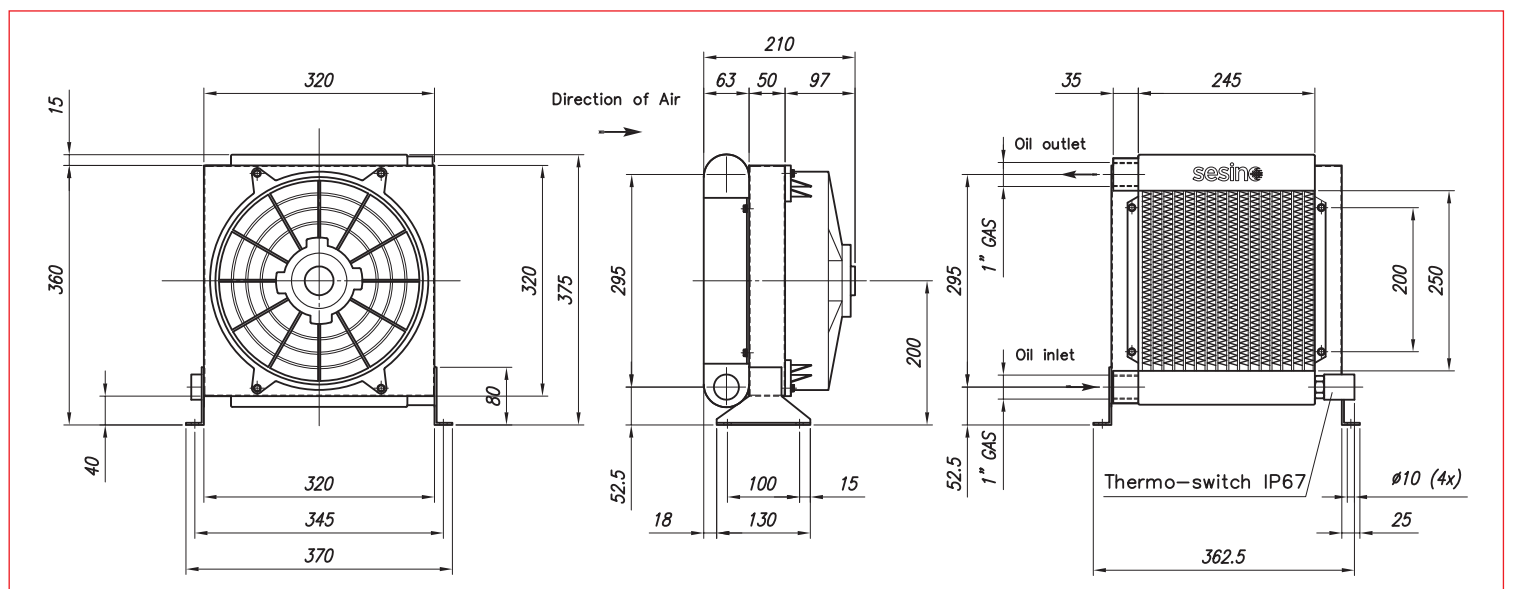
SPARE PARTS

Thermo-switch 47-36 12V IP 67	1TRM47-36/12V
Thermo-switch 47-36 24V IP 67	1TRM47-36/24V
Thermo-switch 60-49 12V IP 67	1TRM60-49/12V
Thermo-switch 60-49 24V IP 67	1TRM60-49/24V
Cooling element	3RNL300
Frame	3CNL300.1
12VDC Electric fan	1VNAPL30012C
24VDC Electric fan	1VNAPL30024C

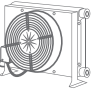


cSt	22	30	46	68	100	150	220
f	0,6	1	1,5	2,3	3,5	5	7

- Dimensions and technical characteristics are not binding



OIL FLOW	VOLTAGE	POWER	CURRENT	AIR FLOW	ELECTRIC PROTECTION	NOISE LEVEL	WEIGHT	CAPACITY	ø FAN
l/min	V	W	A	m³/h	IP	dB(A)	kg	lt.	mm
20-150	12	190	14,8	1.700	68	79	10	2	280
20-150	24	190	7,4	1.700	68	79	10	2	280



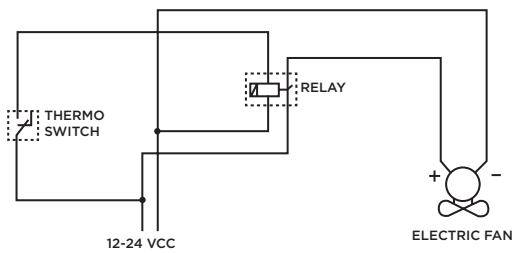
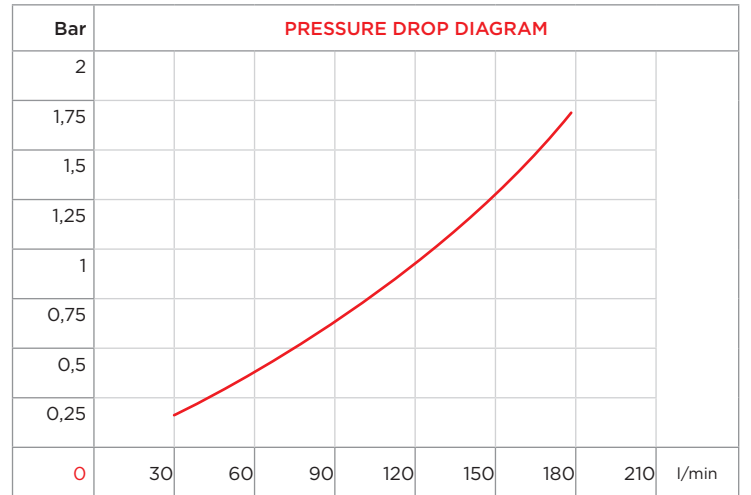
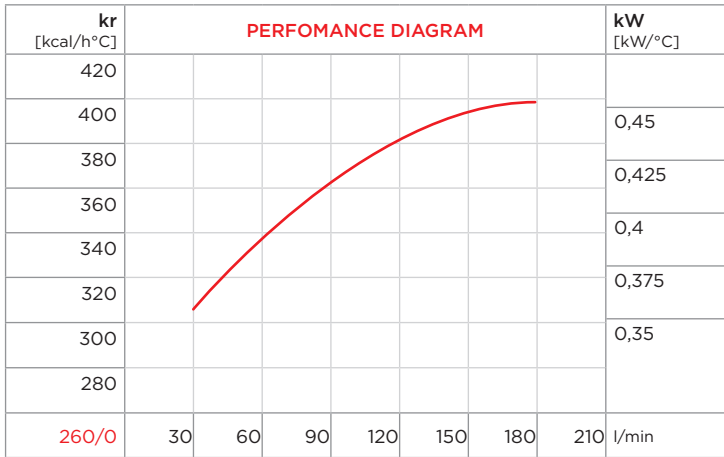
PURCHASE CODES

APL 300/2 12/24V without thermo switch	3RL30212 / 3RL30224
APL 300/2 12/24V with thermo switch	3RL30212T247 / 3RL30224T247 3RL30212T260 / 3RL30224T260



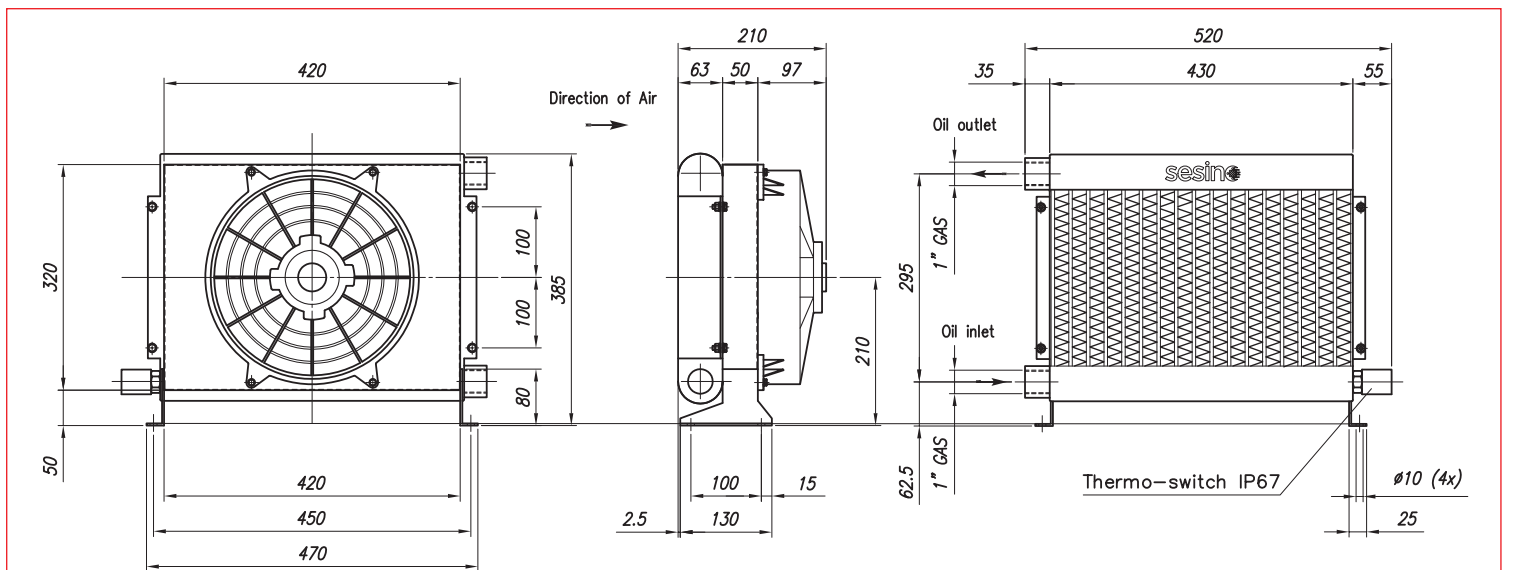
SPARE PARTS

Thermo-switch 47-36 12V IP 67	1TRM47-36/12V
Thermo-switch 47-36 24V IP 67	1TRM47-36/24V
Thermo-switch 60-49 12V IP 67	1TRM60-49/12V
Thermo-switch 60-49 24V IP 67	1TRM60-49/24V
Cooling element	3RNL302
Frame	3CNL302.1
12VDC Electric fan	1VNAPL30012C
24VDC Electric fan	1VNAPL30024C

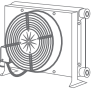


cSt	22	30	46	68	100	150	220
f	0,6	1	1,5	2,3	3,5	5	7

- Dimensions and technical characteristics are not binding



OIL FLOW	VOLTAGE	POWER	CURRENT	AIR FLOW	ELECTRIC PROTECTION	NOISE LEVEL	WEIGHT	CAPACITY	∅ FAN
l/min	V	W	A	m ³ /h	IP	dB(A)	kg	lt.	mm
30-180	12	180	15,0	2.200	68	83	14	3,6	280
30-180	24	180	7,5	2.200	68	83	14	3,6	280



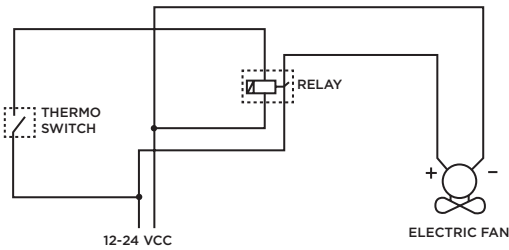
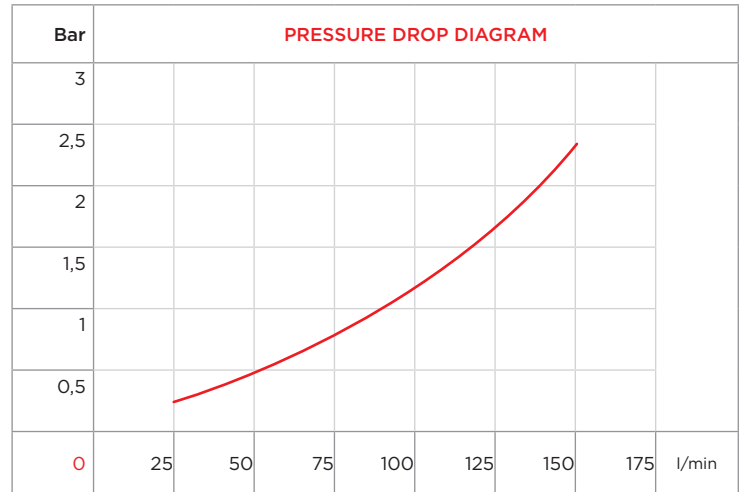
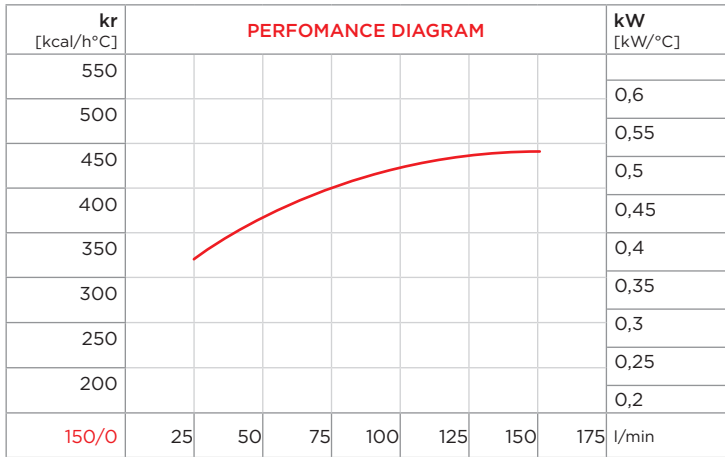
PURCHASE CODES

APL 430 12/24V without thermo switch	3RL43012 / 3RL43024
APL 430 12/24V with thermo switch	3RL43012T247 / 3RL43024T247 3RL43012T260 / 3RL43024T260



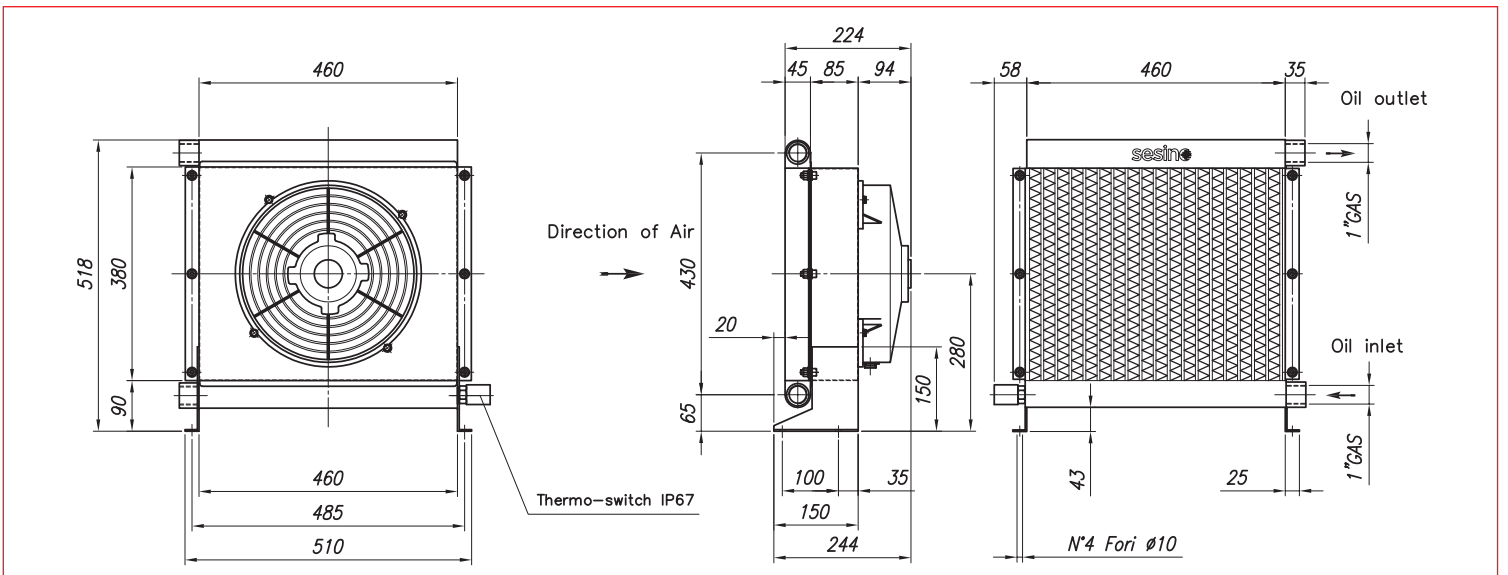
SPARE PARTS

Thermo-switch 47-36 12V IP 67	1TRM47-36/12V
Thermo-switch 47-36 24V IP 67	1TRM47-36/24V
Thermo-switch 60-49 12V IP 67	1TRM60-49/12V
Thermo-switch 60-49 24V IP 67	1TRM60-49/24V
Cooling element	3RNL430
Frame	1430LCNV
12VDC Electric fan	1VNAPL43012C
24VDC Electric fan	1VNAPL43024C



cSt	22	30	46	68	100	150	220
f	0,6	1	1,5	2,3	3,5	5	7

- Dimensions and technical characteristics are not binding



OIL FLOW	VOLTAGE	POWER	CURRENT	AIR FLOW	ELECTRIC PROTECTION	NOISE LEVEL	WEIGHT	CAPACITY	ø FAN
l/min	V	W	A	m³/h	IP	dB(A)	kg	lt.	mm
20-150	12	210	17	2.500	68	82	16	3,6	310
20-150	24	210	8,5	2.500	68	82	16	3,6	310



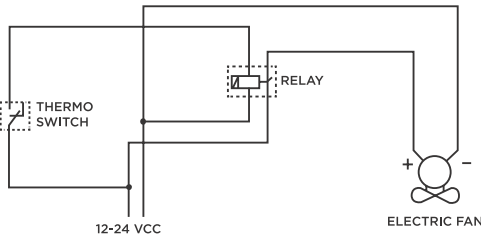
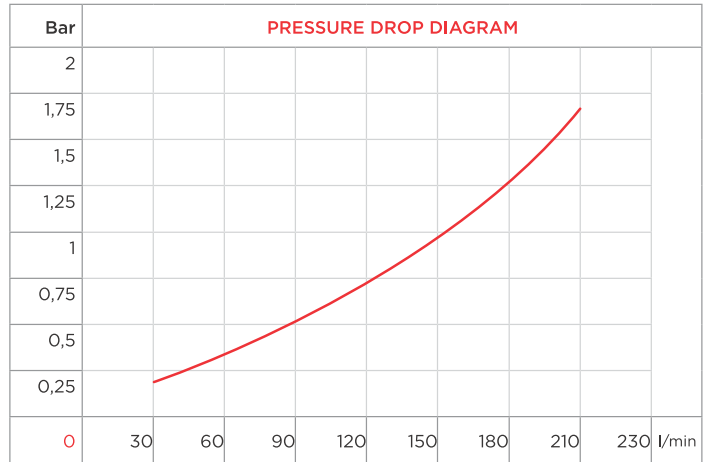
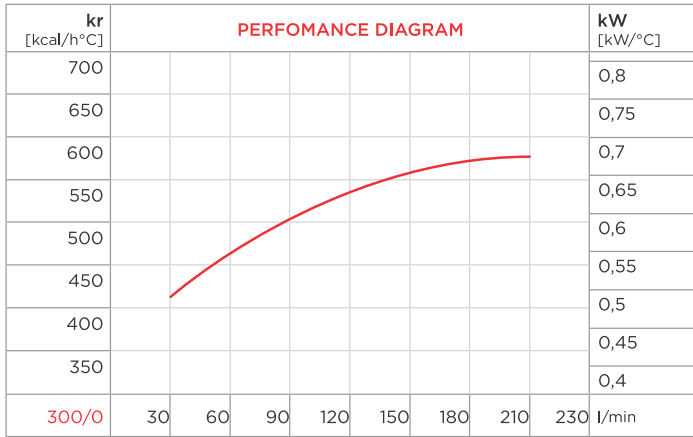
PURCHASE CODES

APL 430/2 12/24V without thermo switch	3RL43212 / 3RL43224
APL 430/2 12/24V with thermo switch	3RL43212T247 / 3RL43224T247 3RL43212T260 / 3RL43224T260



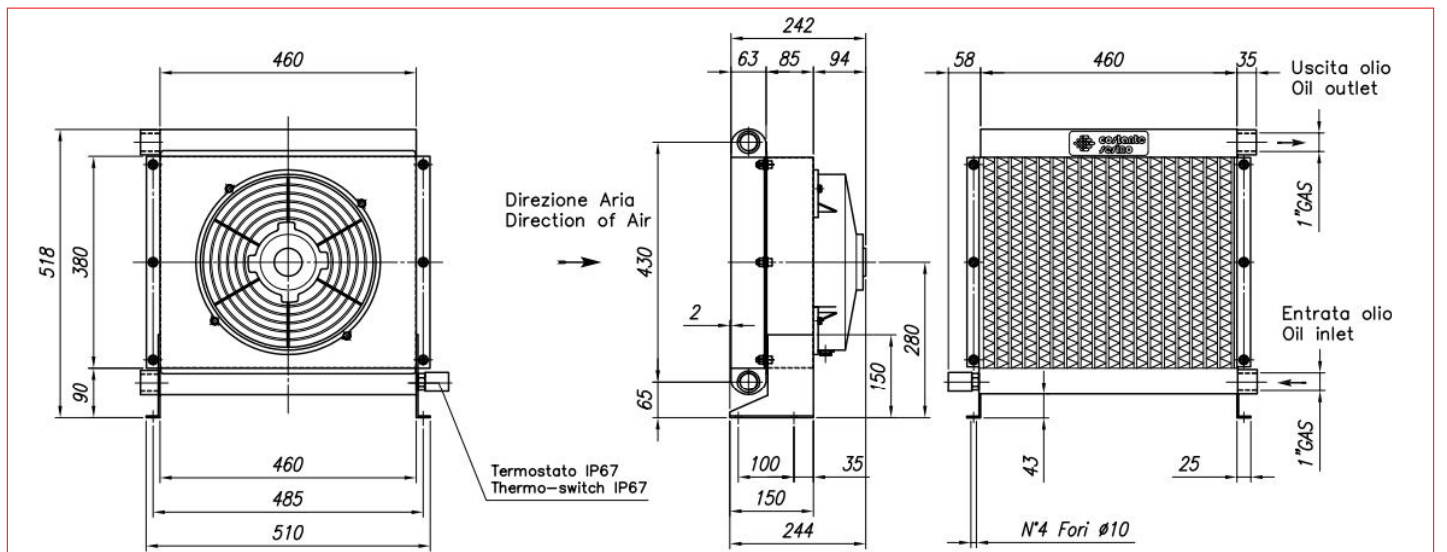
SPARE PARTS

Thermo-switch 47-36 12V IP 67	1TRM47-36/12V
Thermo-switch 47-36 24V IP 67	1TRM47-36/24V
Thermo-switch 60-49 12V IP 67	1TRM60-49/12V
Thermo-switch 60-49 24V IP 67	1TRM60-49/24V
Cooling element	3RNAP432TP
Frame	1430LCNV
12VDC Electric fan	1VNAPL43012C
24VDC Electric fan	1VNAPL43024C

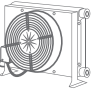


cSt	22	30	46	68	100	150	220
f	0,6	1	1,5	2,3	3,5	5	7

- Dimensions and technical characteristics are not binding



OIL FLOW	VOLTAGE	POWER	CURRENT	AIR FLOW	ELECTRIC PROTECTION	NOISE LEVEL	WEIGHT	CAPACITY	ø FAN
l/min	V	W	A	m³/h	IP	dB(A)	kg	lt.	mm
30-200	12	210	17	2.400	68	82	20	5,5	310
30-200	24	210	8,5	2.400	68	82	20	5,5	310

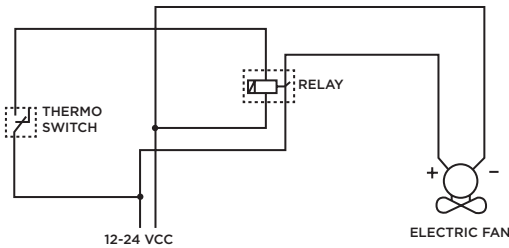
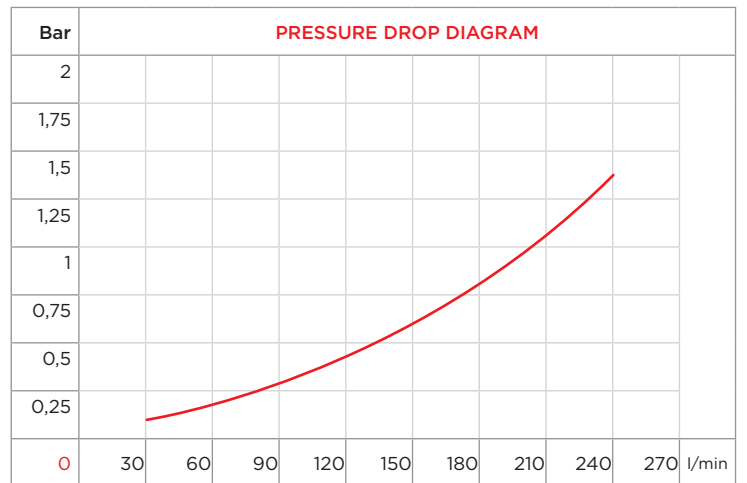
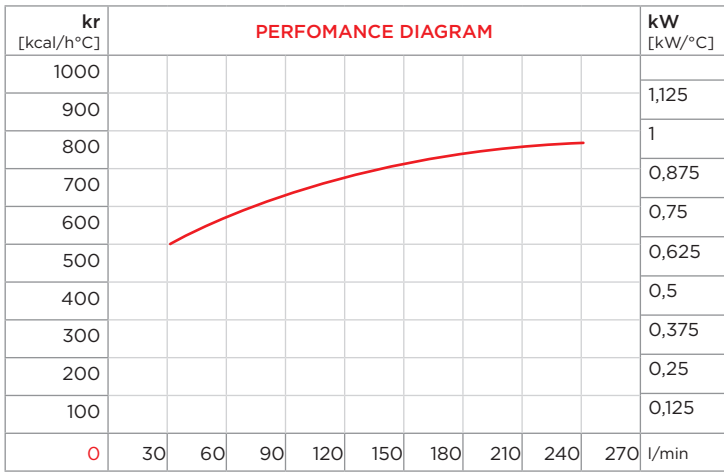


PURCHASE CODES

APL 494 12/24V without thermo switch	3RL49412 / 3RL49424
APL 494 12/24V with thermo switch	3RL49412T247 / 3RL49424T247 3RL49412T260 / 3RL49424T260

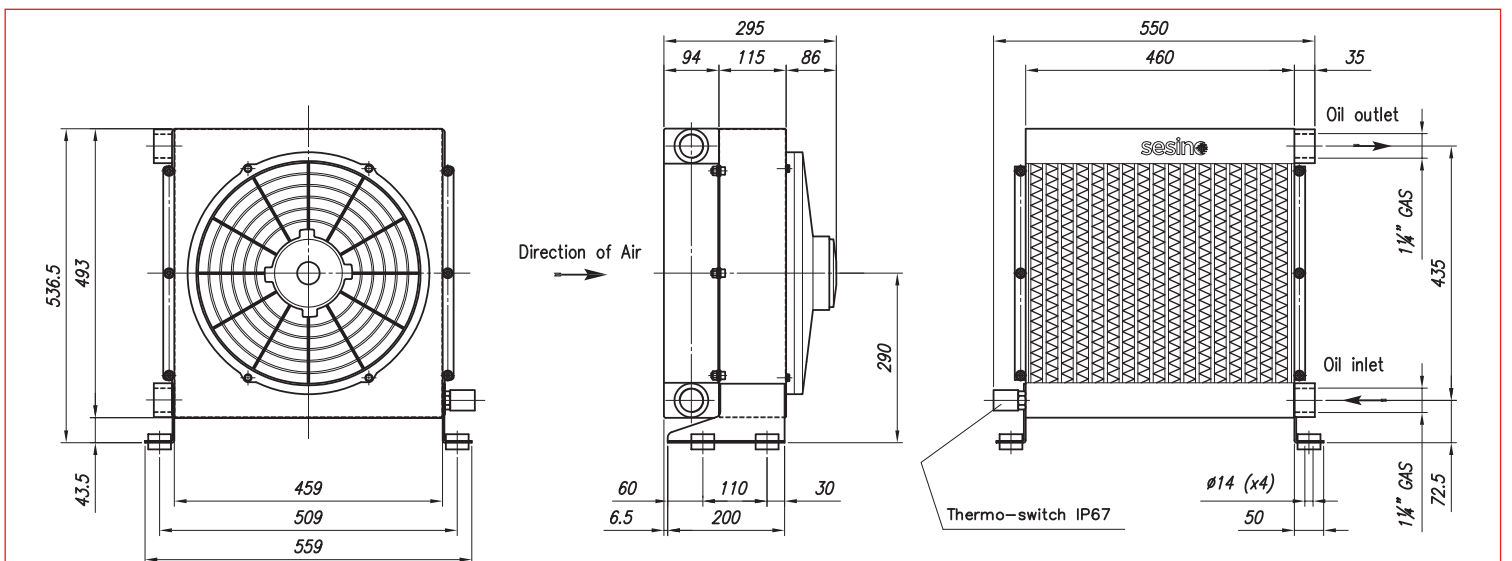
SPARE PARTS

Thermo-switch 47-36 12V IP 67	1TRM47-36/12V
Thermo-switch 47-36 24V IP 67	1TRM47-36/24V
Thermo-switch 60-49 12V IP 67	1TRM60-49/12V
Thermo-switch 60-49 24V IP 67	1TRM60-49/24V
Cooling element	1RO99332
Frame	3CNL494.1
12VDC Electric fan	1MCVA18AP70AC
24VDC Electric fan	1VNAPL58024C

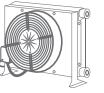


	22	30	46	68	100	150	220
cSt	0,6	1	1,5	2,3	3,5	5	7
f	0,6	1	1,5	2,3	3,5	5	7

- Dimensions and technical characteristics are not binding



OIL FLOW	VOLTAGE	POWER	CURRENT	AIR FLOW	ELECTRIC PROTECTION	NOISE LEVEL	WEIGHT	CAPACITY	ø FAN
l/min	V	W	A	m³/h	IP	dB(A)	kg	lt.	mm
30-240	12	240	20	2.800	68	85	25	8	380
30-240	24	240	10	2.800	68	85	25	8	380

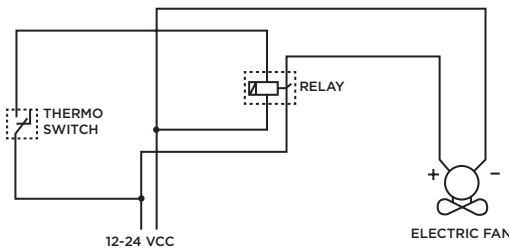
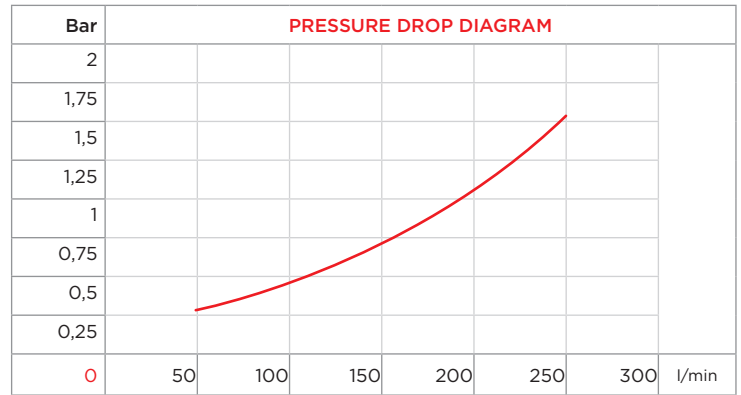
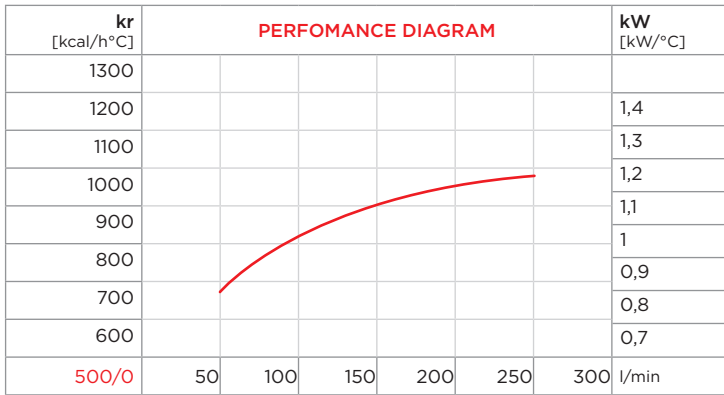


PURCHASE CODES

APL 580 12/24V without thermo switch	3RL58012 / 3RL58024
APL 580 12/24V with thermo switch	3RL58012T247 / 3RL58024T247 3RL58012T260 / 3RL58024T260

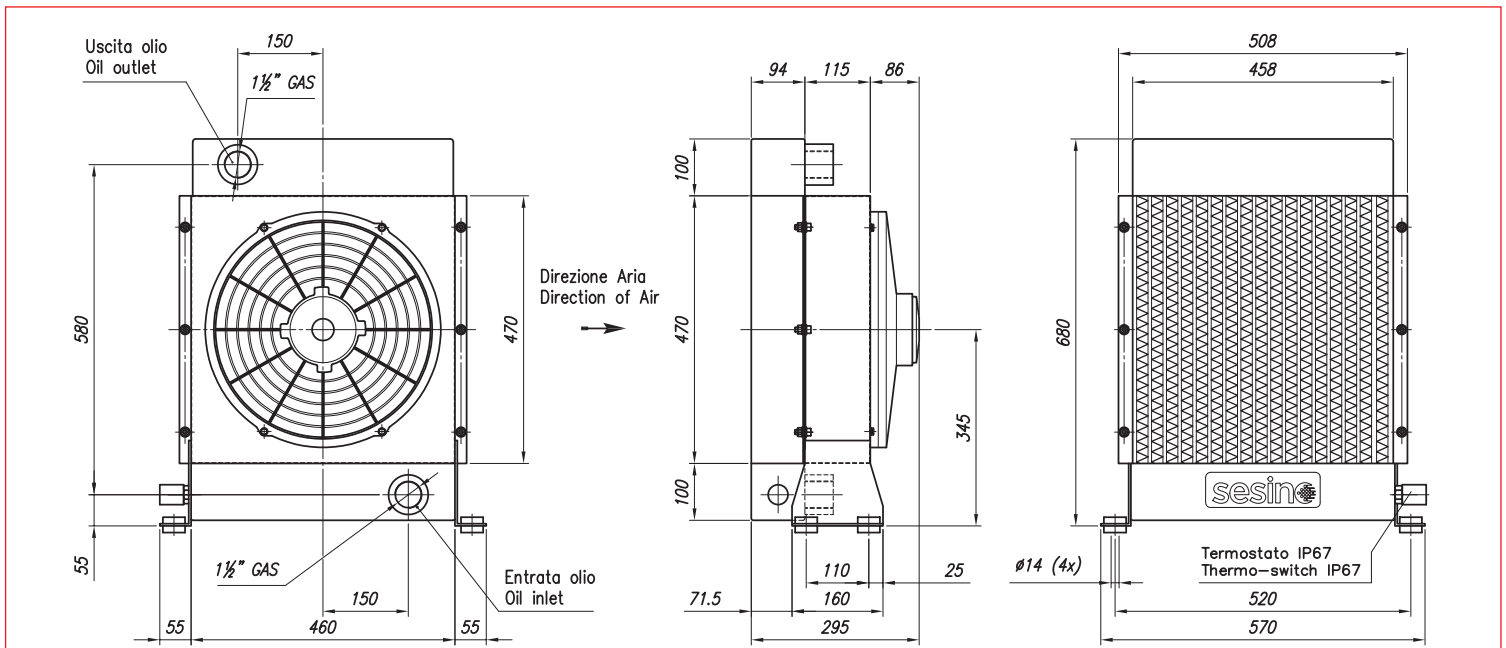
SPARE PARTS

Thermo-switch 47-36 12V IP 67	1TRM47-36/12V
Thermo-switch 47-36 24V IP 67	1TRM47-36/24V
Thermo-switch 60-49 12V IP 67	1TRM60-49/12V
Thermo-switch 60-49 24V IP 67	1TRM60-49/24V
Cooling element	3RNL580
Frame	3CNL580.1
12VDC Electric fan	1MCVA18AP70AC
24VDC Electric fan	1VNAPL58024C

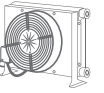


cSt	22	30	46	68	100	150	220
f	0,6	1	1,5	2,3	3,5	5	7

- Dimensions and technical characteristics are not binding



OIL FLOW	VOLTAGE	POWER	CURRENT	AIR FLOW	ELECTRIC PROTECTION	NOISE LEVEL	WEIGHT	CAPACITY	Ø FAN
l/min	V	W	A	m³/h	IP	dB(A)	kg	lt.	mm
50-250	12	240	20	2.900	68	85	33	11,5	380
50-250	24	240	10	2.900	68	85	33	11,5	380

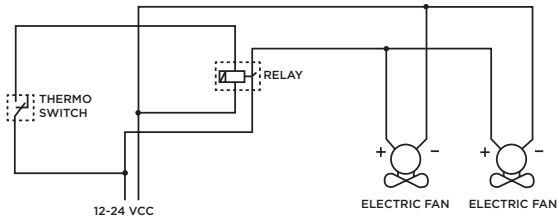
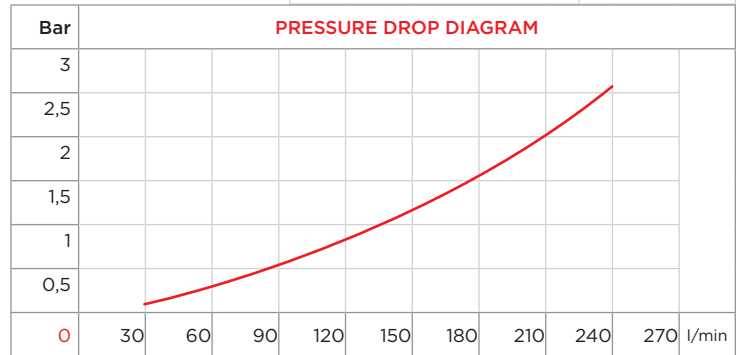
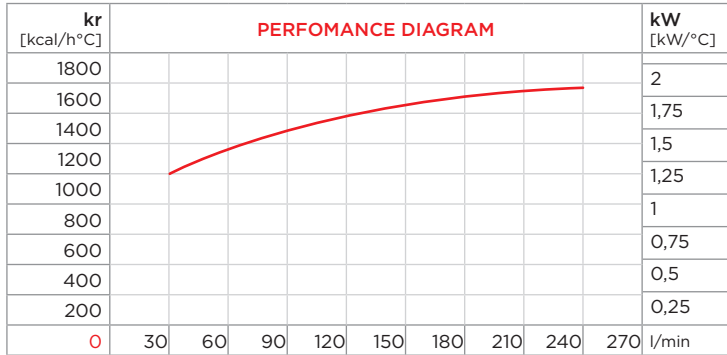


PURCHASE CODES

APL 2/494 12/24V without thermo switch	3RL2/49412 / 3RL2/49424
APL 2/494 12/24V with thermo switch	3RL2/49412T247 / 3RL2/49424T247 3RL2/49412T260 / 3RL2/49424T260

SPARE PARTS

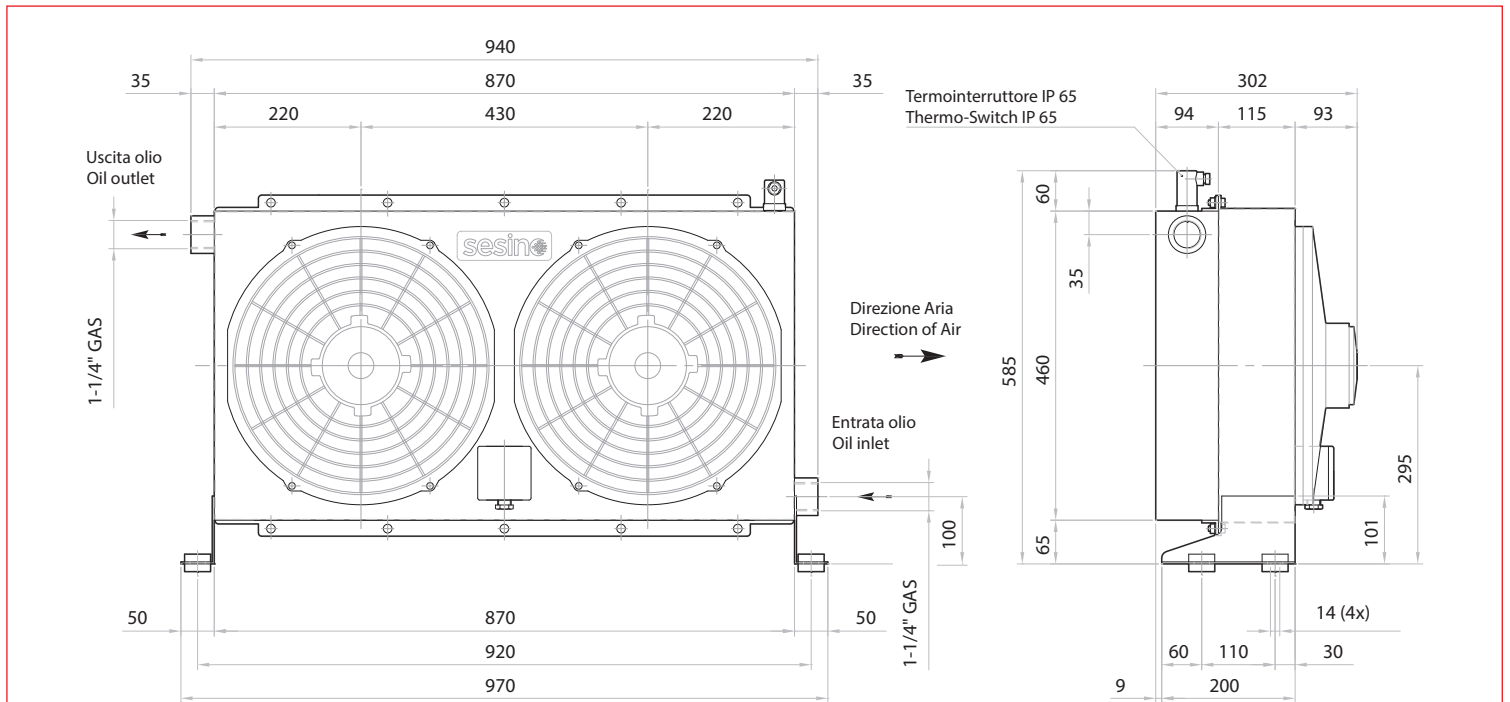
Thermo-switch 60-49 IP 65	1TRM60-49
Thermo-switch 47-36 IP 65	1TRM47-36
Electric junction box	1CSSDBOPLA
12VDC Relay	1RLCOPAT12
24VDC Relay	1RLCOPAT
Shock isolating mounting (4 pcs)	3KIT4135
Cooling element	1RO01342
Frame	3CNL2/494.1
12VDC Electric fan	1MCVA18AP70C
24VDC Electric fan	1VNAPL58024C



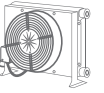
CORRECTION FACTOR

cSt	22	30	46	68	100	150	220
f	0,6	1	1,5	2,3	3,5	5	7

- Dimensions and technical characteristics are not binding



OIL FLOW	VOLTAGE	POWER	CURRENT	AIR FLOW	ELECTRIC PROTECTION	NOISE LEVEL	WEIGHT	CAPACITY	ø FAN
l/min	V	W	A	m³/h	IP	dB(A)	kg	lt.	mm
30-240	12	480	40	5.600	68	88	50	16	380
30-240	24	480	20	5.600	68	88	50	16	380

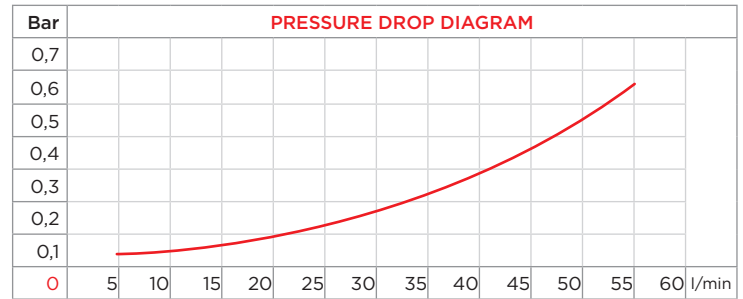
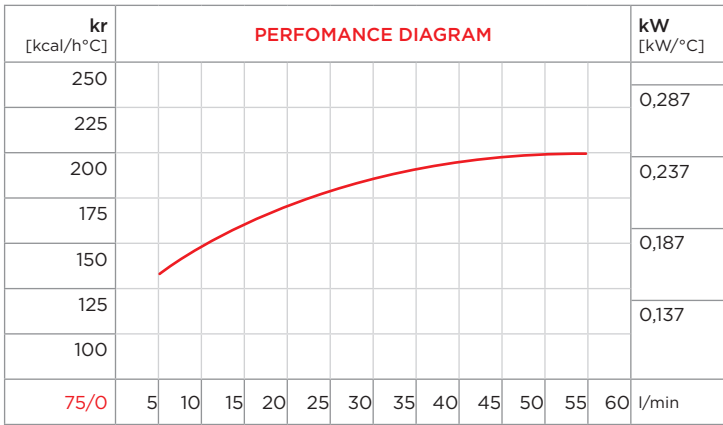


PURCHASE CODES

ELRO 91261 with filter	3RE091261C
ELRO 91261 without filter	3RE091261

SPARE PARTS

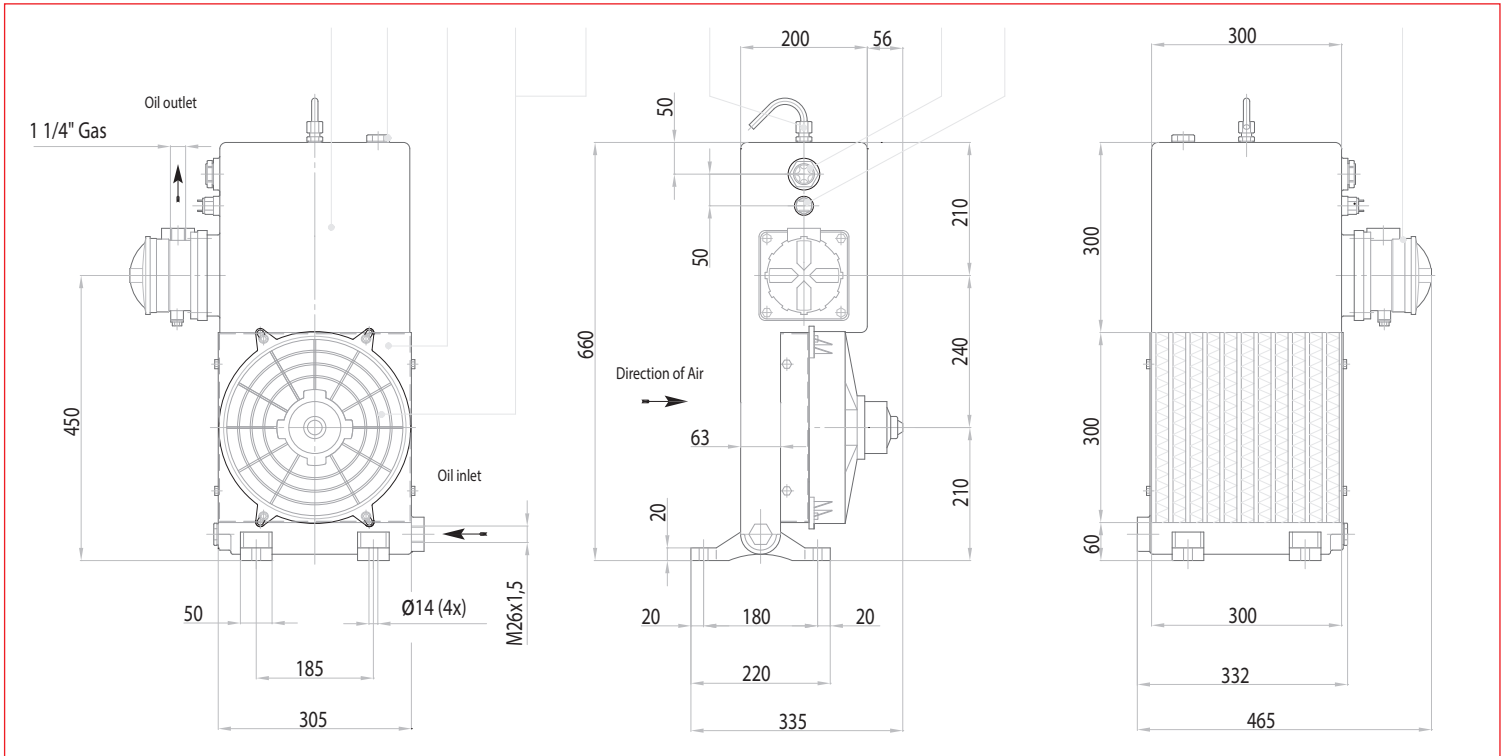
Frame	3CNE091261.1
Cooling element	3RNE091261
Electric fan	1VNE091261
Inlet plug	1T TC6
Level gauge	1LIVTLA56
Thermo-switch 55-44 °C	1TRM55-44
Thermo-switch 65-54 °C	1TRM65-54
Oil Filter	1FTRE091261
Breather pipe	3TBSFEO91261.1
Filter element	1CRTE091261



CORRECTION FACTOR

cSt	22	30	46	68	100	150	220
f	0,6	1	1,5	2,3	3,5	5	7

- Dimensions and technical characteristics are not binding



OIL FLOW	CAPACITY	VOLTAGE	POWER	CURRENT	AIR FLOW	PROTECTION	NOISE LEVEL	WEIGHT	Ø FAN
l/min	l	V	W	A	m³/h	IP	dB(A)	kg	mm
upon request only		12	180	15	1.600	68	74	18	280
5-60	18	24	180	7,5	1.600	68	74	18	280