

TAPPO FILTRO ARIA CON ATTACCO FILETTATO

AIR BREATHER CAP WITH THREADED CONNECTION

Elementi compatti per montaggio mediante avvitatura su filetto BSP ed NPT, consentono la filtrazione dell'aria tra serbatoio ed ambiente esterno.

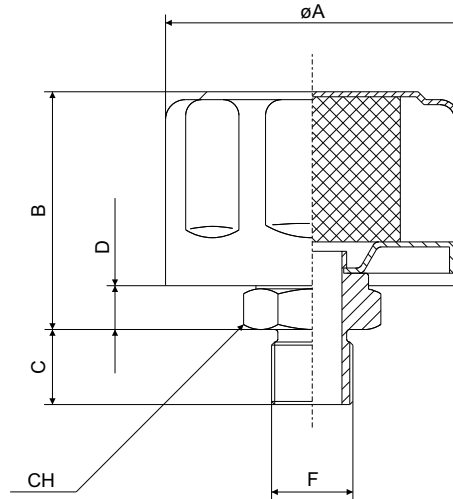
Costruiti in acciaio cromato con filetto maschio zincato, i tappi vengono forniti in confezioni da due.

N.B.: Su richiesta del cliente, il prodotto può essere fornito con logo personalizzato.

These compact elements, mounted by screwing on a suitable BSP and NPT thread, permit the exchange of filtered air between the oil tank and the environment.

Chrome plated steel with galvanized male thread. The caps are supplied in pairs.

N.B.: On demand, the product can be supplied with logo.



| Tipo Type | Filtro aria / Air filter | | Dimensioni / Dimensions (mm) | | | | | |
|---------------------|--|---|------------------------------|----|------|------|----|----|
| | Filtrazione micron Micron filtering | Flusso raccomandato Recommended flow dm ³ /min | F | øA | B | C | D | CH |
| TRM-1-18 | 40 Spugna / 40 Sponge | 200 | 1/8" BSP | 47 | 37,5 | 12,5 | 7 | 19 |
| TRM-1-18S1 | 10 Spugna / 10 Sponge | 200 | 1/8" BSP | 47 | 37,5 | 12,5 | 7 | 19 |
| TRM-1-18P1 | 10 Carta / 10 Paper | 200 | 1/8" BSP | 47 | 37,5 | 12,5 | 7 | 19 |
| TRM-1-18N | 40 Spugna / 40 Sponge | 200 | 1/8" NPT | 47 | 37,5 | 12,5 | 7 | 19 |
| TRM-1-18NS1 | 10 Spugna / 10 Sponge | 200 | 1/8" NPT | 47 | 37,5 | 12,5 | 7 | 19 |
| TRM-1-18NP1 | 10 Carta / 10 Paper | 200 | 1/8" NPT | 47 | 37,5 | 12,5 | 7 | 19 |
| TRM-1-14 | 40 Spugna / 40 Sponge | 250 | 1/4" BSP | 47 | 37,5 | 12,5 | 7 | 19 |
| TRM-1-14S1 | 10 Spugna / 10 Sponge | 250 | 1/4" BSP | 47 | 37,5 | 12,5 | 7 | 19 |
| TRM-1-14P1 | 10 Carta / 10 Paper | 250 | 1/4" BSP | 47 | 37,5 | 12,5 | 7 | 19 |
| TRM-1-14N | 40 Spugna / 40 Sponge | 250 | 1/4" NPT | 47 | 37,5 | 12,5 | 7 | 19 |
| TRM-1-14NS1 | 10 Spugna / 10 Sponge | 250 | 1/4" NPT | 47 | 37,5 | 12,5 | 7 | 19 |
| TRM-1-14NP1 | 10 Carta / 10 Paper | 250 | 1/4" NPT | 47 | 37,5 | 12,5 | 7 | 19 |
| TRM-1-38 | 40 Spugna / 40 Sponge | 250 | 3/8" BSP | 47 | 37,5 | 12,5 | 7 | 19 |
| TRM-1-38S1 | 10 Spugna / 10 Sponge | 250 | 3/8" BSP | 47 | 37,5 | 12,5 | 7 | 19 |
| TRM-1-38P1 | 10 Carta / 10 Paper | 250 | 3/8" BSP | 47 | 37,5 | 12,5 | 7 | 19 |
| TRM-1-38N | 40 Spugna / 40 Sponge | 250 | 3/8" NPT | 47 | 37,5 | 12,5 | 7 | 19 |
| TRM-1-38NS1 | 10 Spugna / 10 Sponge | 250 | 3/8" NPT | 47 | 37,5 | 12,5 | 7 | 19 |
| TRM-1-38NP1 | 10 Carta / 10 Paper | 250 | 3/8" NPT | 47 | 37,5 | 12,5 | 7 | 19 |
| TRM-1-12 | 40 Spugna / 40 Sponge | 250 | 1/2" BSP | 47 | 37,5 | 13 | 7 | 24 |
| TRM-1-12S1 | 10 Spugna / 10 Sponge | 250 | 1/2" BSP | 47 | 37,5 | 13 | 7 | 24 |
| TRM-1-12P1 | 10 Carta / 10 Paper | 250 | 1/2" BSP | 47 | 37,5 | 13 | 7 | 24 |
| TRM-1-12N | 40 Spugna / 40 Sponge | 250 | 1/2" NPT | 47 | 37,5 | 15 | 7 | 24 |
| TRM-1-12NS1 | 10 Spugna / 10 Sponge | 250 | 1/2" NPT | 47 | 37,5 | 15 | 7 | 24 |
| TRM-1-12NP1 | 10 Carta / 10 Paper | 250 | 1/2" NPT | 47 | 37,5 | 15 | 7 | 24 |
| TRM-2-12 | 40 Spugna / 40 Sponge | 350 | 1/2" BSP | 75 | 46 | 16 | 10 | 32 |
| TRM-2-12S1 | 10 Spugna / 10 Sponge | 350 | 1/2" BSP | 75 | 46 | 16 | 10 | 32 |
| TRM-2-12P1 | 10 Carta / 10 Paper | 350 | 1/2" BSP | 75 | 46 | 16 | 10 | 32 |
| TRM-2-12N | 40 Spugna / 40 Sponge | 350 | 1/2" NPT | 75 | 46 | 19 | 10 | 32 |
| TRM-2-12NS1 | 10 Spugna / 10 Sponge | 350 | 1/2" NPT | 75 | 46 | 19 | 10 | 32 |
| TRM-2-12NP1 | 10 Carta / 10 Paper | 350 | 1/2" NPT | 75 | 46 | 19 | 10 | 32 |
| TRM-2-34 | 40 Spugna / 40 Sponge | 700 | 3/4" BSP | 75 | 46 | 16 | 10 | 32 |
| TRM-2-34S1 | 10 Spugna / 10 Sponge | 700 | 3/4" BSP | 75 | 46 | 16 | 10 | 32 |
| TRM-2-34P1 | 10 Carta / 10 Paper | 700 | 3/4" BSP | 75 | 46 | 16 | 10 | 32 |
| TRM-2-34N | 40 Spugna / 40 Sponge | 700 | 3/4" NPT | 75 | 46 | 19 | 10 | 32 |
| TRM-2-34NS1 | 10 Spugna / 10 Sponge | 700 | 3/4" NPT | 75 | 46 | 19 | 10 | 32 |
| TRM-2-34NP1 | 10 Carta / 10 Paper | 700 | 3/4" NPT | 75 | 46 | 19 | 10 | 32 |
| TRM-2-100 | 40 Spugna / 40 Sponge | 1000 | 1" BSP | 75 | 46 | 18 | 10 | 38 |
| TRM-2-100S1 | 10 Spugna / 10 Sponge | 1000 | 1" BSP | 75 | 46 | 18 | 10 | 38 |
| TRM-2-100P1 | 10 Carta / 10 Paper | 1000 | 1" BSP | 75 | 46 | 18 | 10 | 38 |
| TRM-2-100N | 40 Spugna / 40 Sponge | 1000 | 1" NPT | 75 | 46 | 18 | 10 | 38 |
| TRM-2-100NS1 | 10 Spugna / 10 Sponge | 1000 | 1" NPT | 75 | 46 | 18 | 10 | 38 |
| TRM-2-100NP1 | 10 Carta / 10 Paper | 1000 | 1" NPT | 75 | 46 | 18 | 10 | 38 |